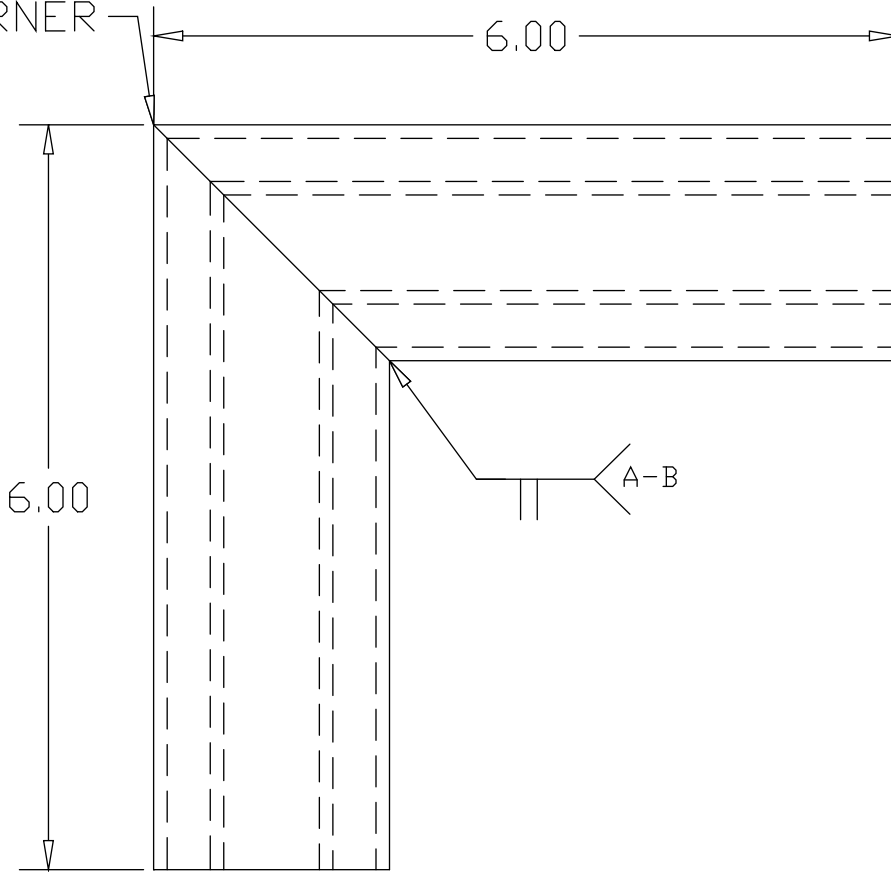


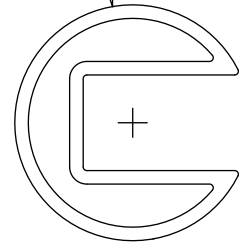
REV A
SH
DWG NO GR2190MK.4

REVISIONS			
REV	DESCRIPTION	DATE	APPROVED
A	REMOVED EPOXY REFERENCE	05/29/12	RJF

BREAK SHARP CORNER



Ø1.90

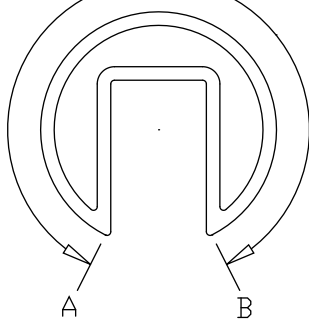


A-B

6.00




WELD



A

B

PART NAME		1.90" OD ALUM CAPRAIL 90° HORIZONTAL MITERED CORNER	
MATERIAL		1.90" OD X .109W ALUMINUM CAPRAIL	
DATE	01/04/07	 THE WAGNER COMPANIES R & B WAGNER, INC. AND J. G. BRAUN CO.	PART NUMBER GR2190MK.4
DRAWN BY	RJF		
FINISH	#4 SATIN		
SIZE	A	WEIGHT	REV A