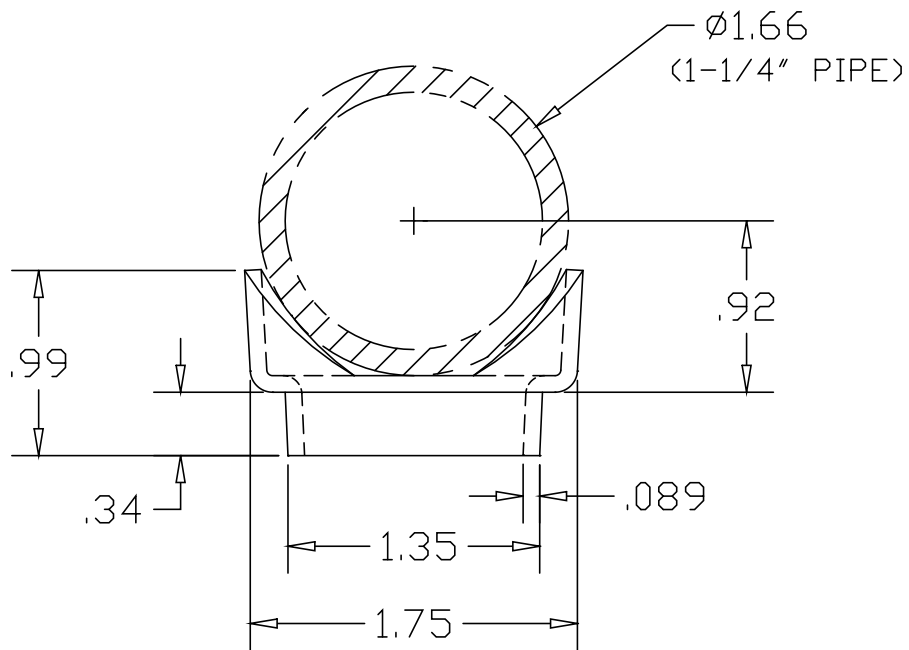
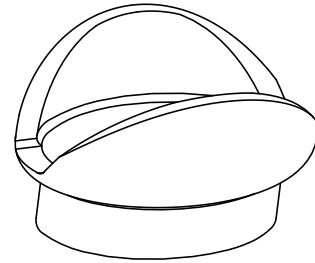



REV
SH
1822
DWG NO

REVISIONS			
REV	DESCRIPTION	DATE	APPROVED



ALTERNATE MATERIAL	PART NUMBER
.09 (3003) ALUMINUM ASTM B209	1823
.09 (304) STAINLESS STEEL ASTM A240	1822-S

PART NAME 1-1/4" PIPE SIZE TYPE "A" COPED WELDING CONNECTOR			
MATERIAL 13 GA. (.089) HRP&D STEEL ASTM A569			
DATE 10/16/95	 THE WAGNER COMPANIES R & B WAGNER, INC. AND J. G. BRAUN CO.		
DRAWN BY RJF		SIZE A	WEIGHT .08 LBS
FINISH MILL		PART NUMBER 1822	REV