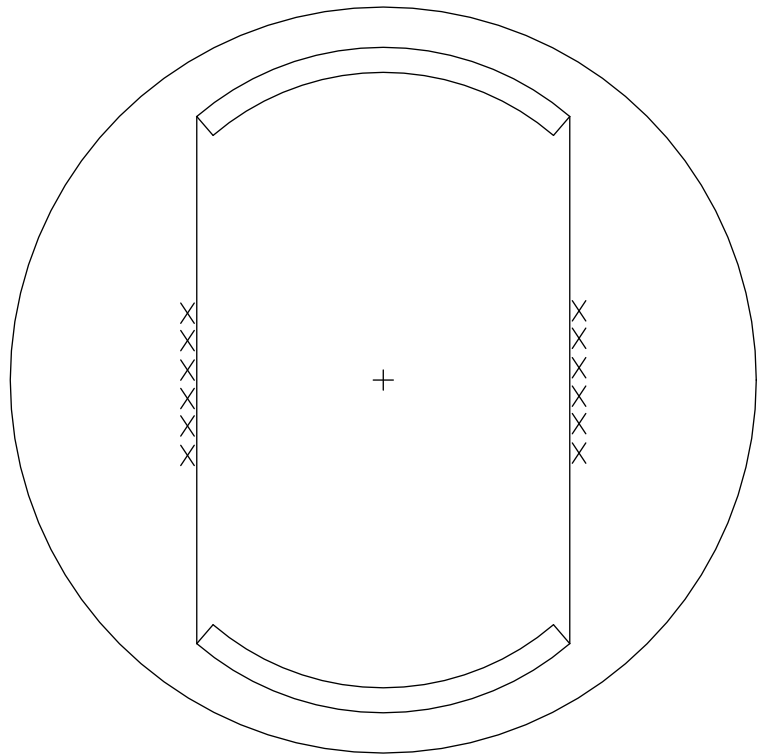
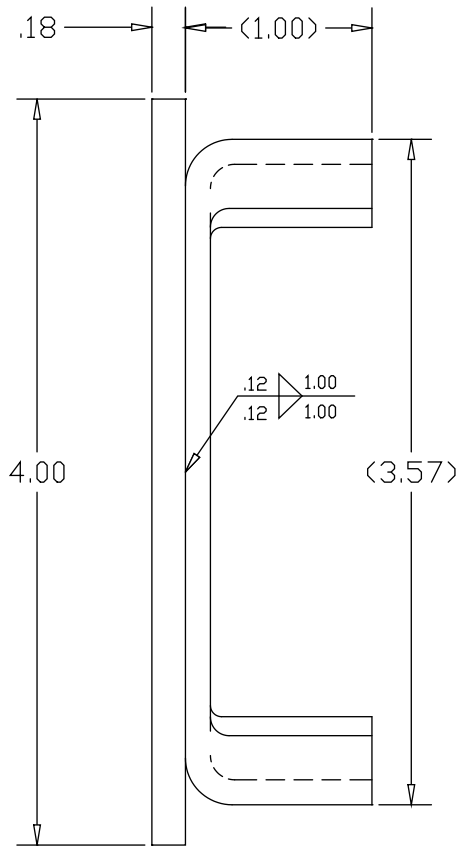



REV
SH
DWG NO 3288-3.5

REVISIONS			
REV	DESCRIPTION	DATE	APPROVED



PART NAME		3-1/2" SCH 40 PIPE SIZE TYPE-E DRIVE-ON DISK		
MATERIAL		7 GA. HRP&D STEEL ASTM A569		
DATE	10/11/96		THE WAGNER COMPANIES R & B WAGNER, INC. AND J. G. BRAUN CO.	
DRAWN BY	RJF			
FINISH	MILL			
SIZE	A	WEIGHT	PART NUMBER	3288-3.5
			REV	