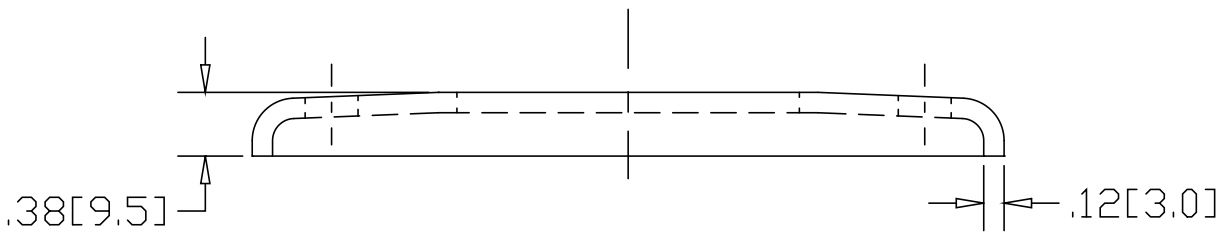
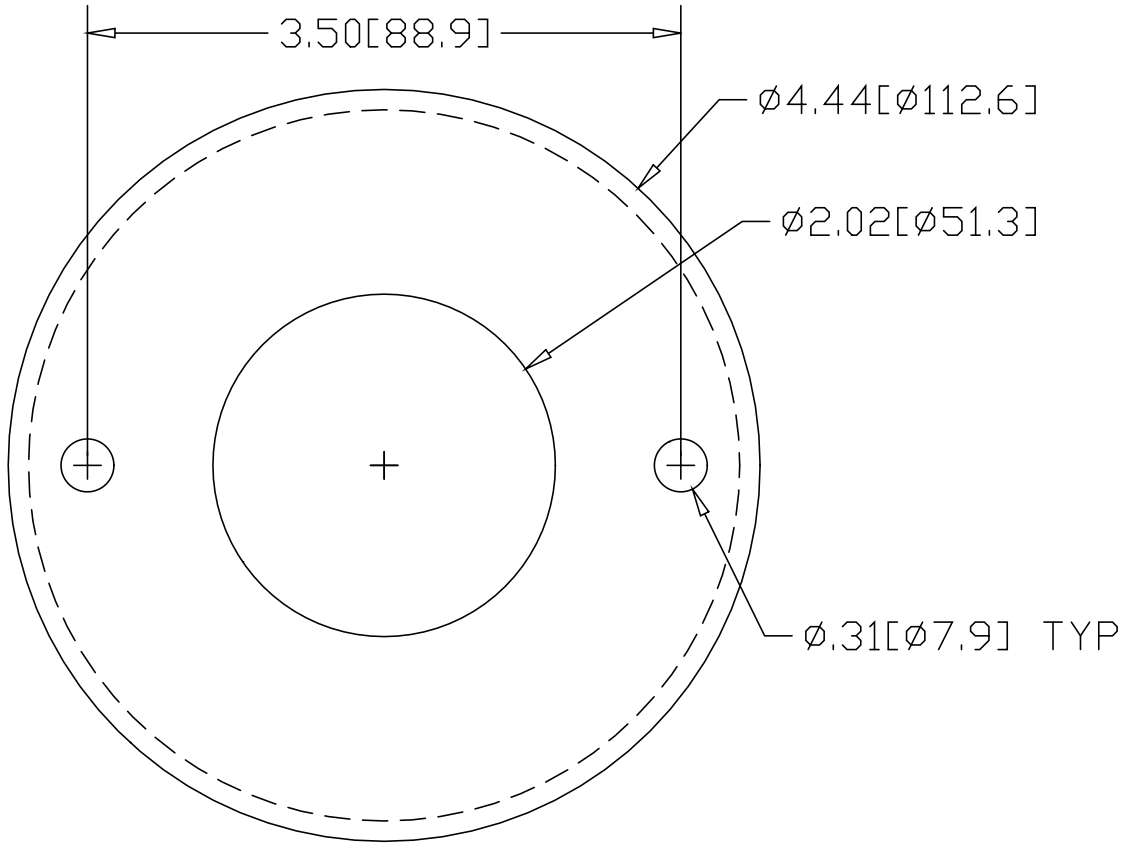


REV  
SH  
2543T  
DWG NO


REVISIONS			
REV	DESCRIPTION	DATE	APPROVED



INCHES [MILLIMETERS]

\*USE WITH ANCHOR PLATE  
#B1440 IN STEEL  
#PLB1440 ZINC PLATED STEEL  
#B1540 IN STAINLESS

ALTERNATE MATERIAL	PART NUMBER
.125 (3003) ALUMINUM ASTM B209	2583T
10 GA. (304) STAINLESS STEEL ASTM A240	2623T

PART NAME 2" OD TUBE HEAVY FLUSH BASE FLANGE W/(2) HOLES			
MATERIAL 10 GA. HRP&D STEEL ASTM A569			
DATE 9/6/94		R & B WAGNER, INC.	
DRAWN BY RJF		SIZE A	WEIGHT .52 LBS
FINISH MILL			REV