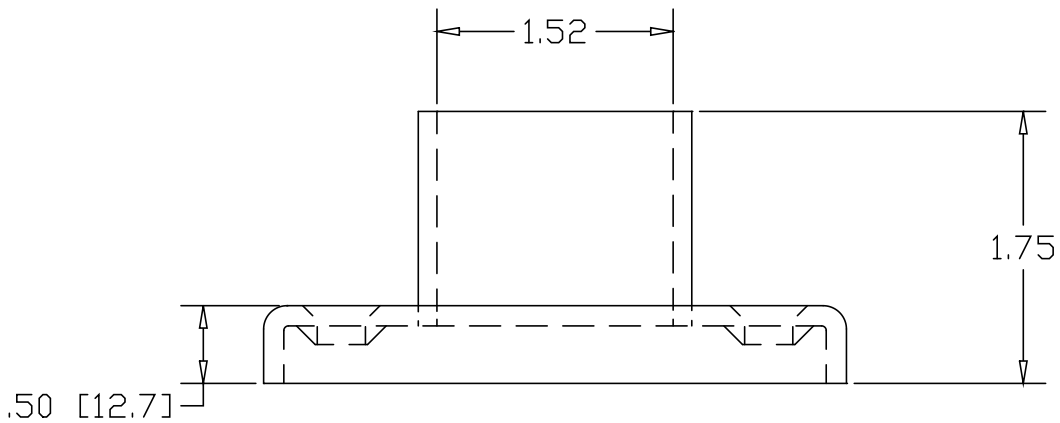
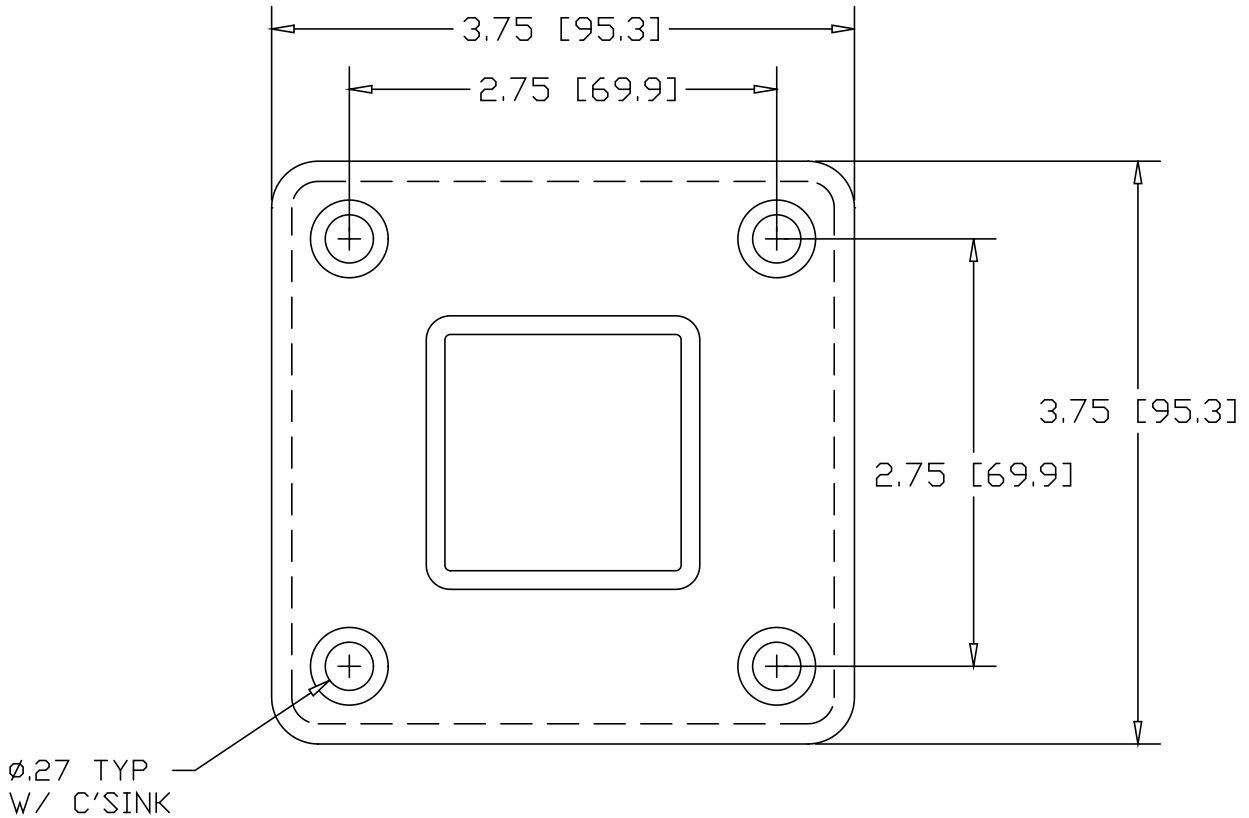



REV
SH
8914
DWG NO

| REVISIONS | | | |
|-----------|-------------|------|----------|
| REV | DESCRIPTION | DATE | APPROVED |



INCHES [MILLIMETERS]

| | |
|---------------------------------|-------------|
| ALTERNATE MATERIAL | PART NUMBER |
| .125 (3003) ALUMINUM ASTM B-209 | 8938 |

| | | | | |
|--|---|----------------|------------------|-----|
| PART NAME 1-1/2" SQUARE TUBE SOCKET FLANGE W/(4) HOLES | | | | |
| MATERIAL 10 GA. HRP&D STEEL ASTM A-569 | | | | |
| DATE 3/16/95 |  R & B WAGNER, INC. | | | |
| DRAWN BY RJF | | | | |
| FINISH MILL | SIZE A | WEIGHT .79 LBS | PART NUMBER 8914 | REV |