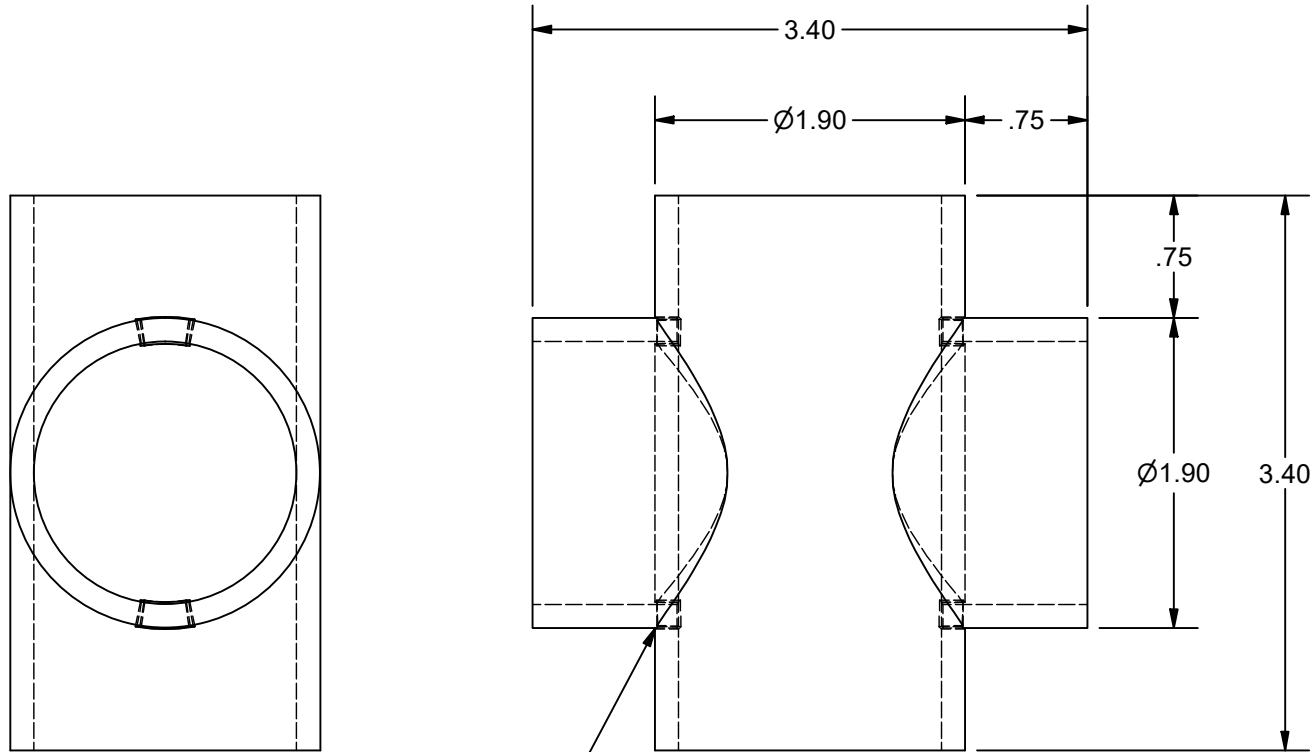
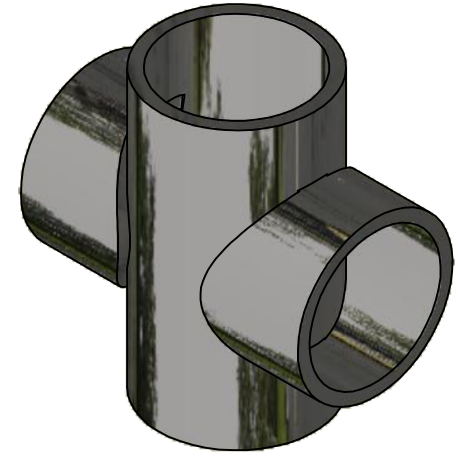



REVISION HISTORY

REV	DESCRIPTION	DATE	APPROVED
A	WELDED ASSEMBLY WAS STAMPING	04/06/21	RJF



TYP $\sqrt[.12]{}$

NAME		1-1/2" PIPE SIZE STEEL CROSS					
MATERIAL		1-1/2" SCH 40 STEEL PIPE					
DATE	11/27/2001	COLLABORATIVE METAL WORKS					
DRAWN	RJF						
FINISH	MILL						
SIZE	A	WEIGHT	1.204 LBS	PART NUMBER	873	REV	A