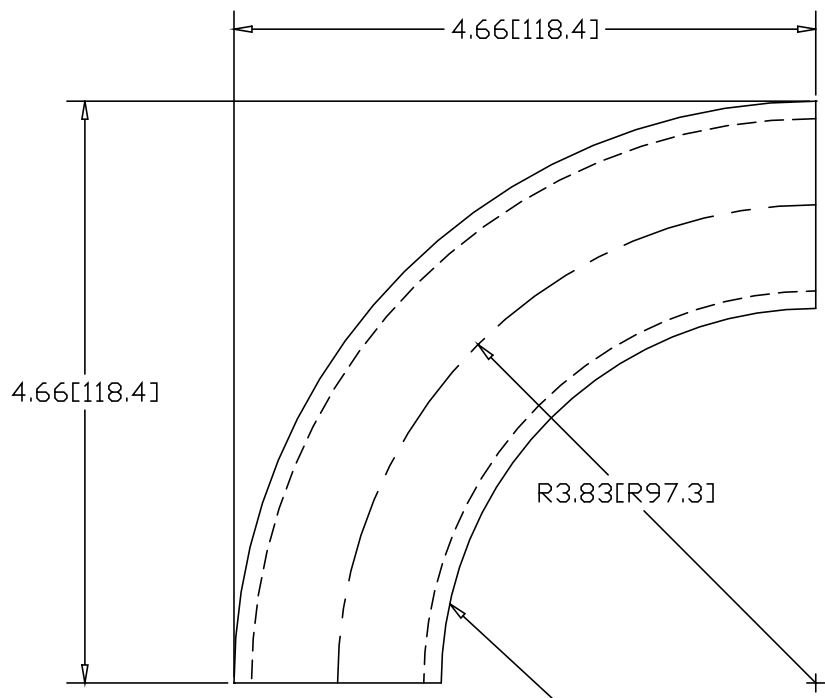
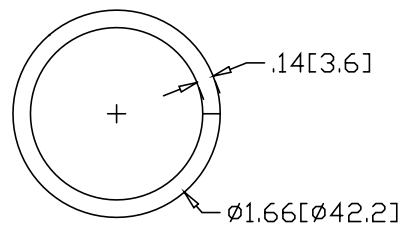


REV
SH
270
DWG NO

REVISIONS			
REV	DESCRIPTION	DATE	APPROVED




NOTE: UNWELDED SEAM
ALONG INSIDE RADIUS
(STEEL ELLS ONLY)



INCHES [MILLIMETERS]

ALTERNATE MATERIAL	PART NUMBER
1-1/4" SCH 40 (6063) ALUMINUM PIPE	294
1-1/4" SCH 40 (304) STAINLESS STEEL PIPE	464

PART NAME		1-1/4" PIPE SIZE 90° ELL X 3" I.R.			
MATERIAL		10 GA. HRP&D STEEL ASTM A569			
DATE	8/24/95	 R & B WAGNER, INC.			
DRAWN BY	RJF				
FINISH	MILL	SIZE	WEIGHT	PART NUMBER	REV
		A	1.14 LBS	270	