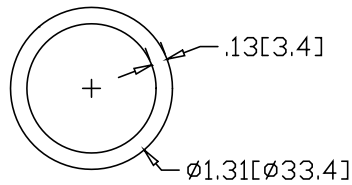
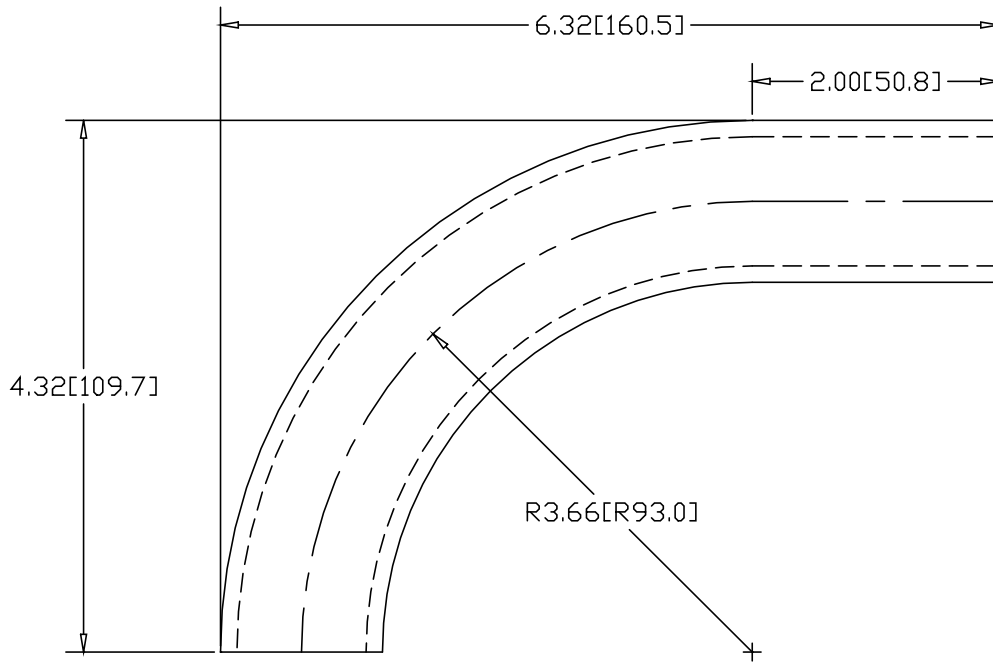



REV
SH
507-1
DWG NO

REVISIONS			
REV	DESCRIPTION	DATE	APPROVED



INCHES [MILLIMETERS]

ALTERNATE MATERIAL	PART NUMBER
1" SCH 40 (6063) ALUMINUM PIPE	517-1
1" SCH 40 (304) STAINLESS STEEL PIPE	527-1

PART NAME 1" PIPE SIZE 90° ELL X 3" I.R. W/(1) 2" TANGENT				
MATERIAL 1" SCH 40 A53 STEEL PIPE				
DATE 8/24/95		R & B WAGNER, INC.		
DRAWN BY RJF		FINISH MILL	SIZE A	WEIGHT .95 LBS
		PART NUMBER	507-1	REV