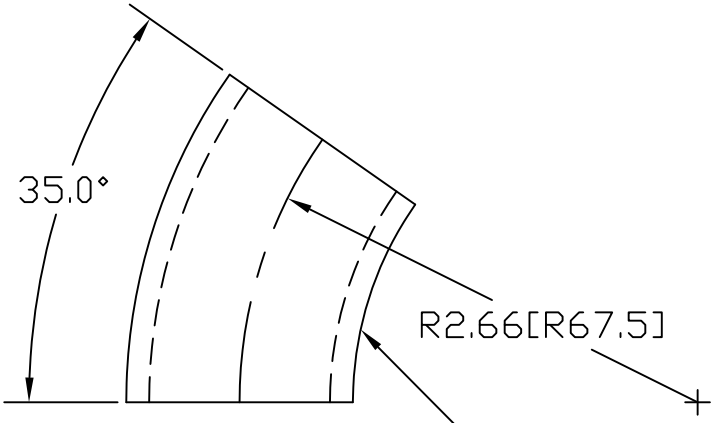
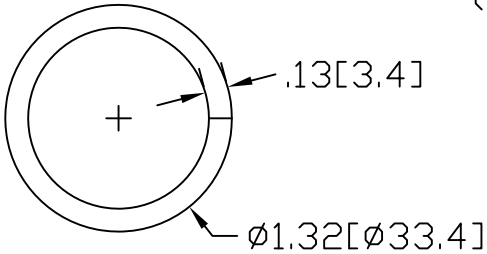


REV
SH
204
DWG NO

| REVISIONS | | | |
|-----------|-------------|------|----------|
| REV | DESCRIPTION | DATE | APPROVED |




NOTE: UNWELDED SEAM ALONG INSIDE RADIUS (STEEL ELLS ONLY)



INCHES [MILLIMETERS]

| ALTERNATE MATERIAL | PART NUMBER |
|--------------------------------------|-------------|
| 1" SCH 40 (6063) ALUMINUM PIPE | 220 |
| 1" SCH 40 (304) STAINLESS STEEL PIPE | 252-S |

| | | | | |
|-----------|---------|--|---------|-------------|
| PART NAME | | 1" PIPE SIZE 35° ELL X 2" I.R. | | |
| MATERIAL | | 10 GA. HRP&D STEEL ASTM A569 | | |
| DATE | 8/24/95 |  R & B WAGNER, INC. | | |
| DRAWN BY | RJF | | | |
| FINISH | MILL | SIZE | WEIGHT | PART NUMBER |
| | | A | .24 LBS | 204 |
| | | | | REV |