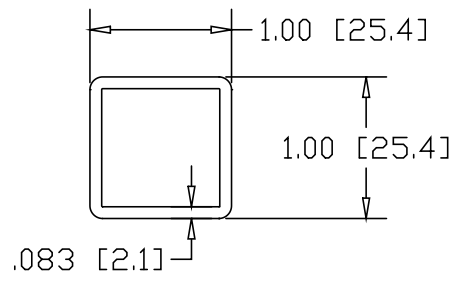
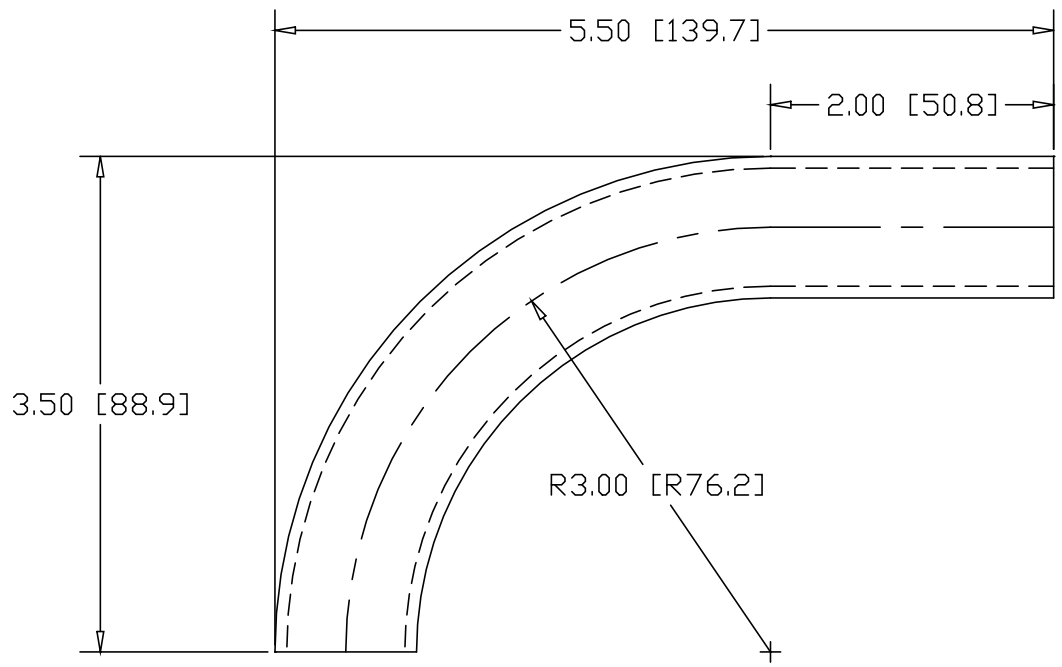


REV
SH
6307
DWG NO

REVISIONS			
REV	DESCRIPTION	DATE	APPROVED



INCHES [MILLIMETERS]

ALTERNATE MATERIAL	PART NUMBER
1.00" SQUARE X .125W (6063) ALUMINUM TUBE	6407

PART NAME 1" SQUARE STEEL 90° X 3"CLR ELL W/(1) 2" TANGENT			
MATERIAL 1.00" X .083W SQUARE STEEL TUBE			
DATE 10/3/00	WAGNER	R & B WAGNER, INC.	
DRAWN BY RJF			
FINISH MILL	SIZE A	WEIGHT .59 LBS	PART NUMBER 6307
			REV