

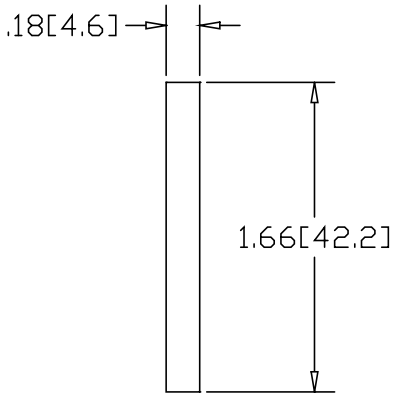
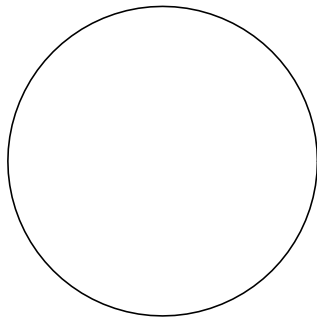
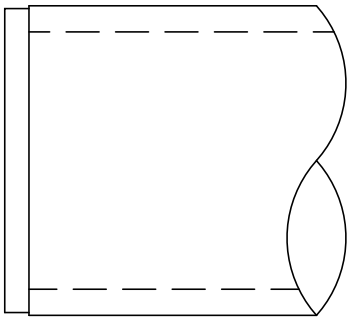
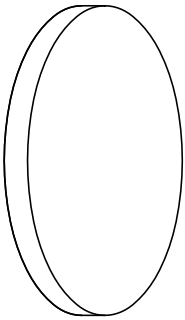
DWG NO 3228

REV

SH


REVISIONS

REV	DESCRIPTION	DATE	APPROVED
-----	-------------	------	----------



INCHES [MILLIMETERS]

ALTERNATE MATERIAL	PART NUMBER
.190 (3003) ALUMINUM ASTM B209	3248
7 GA 304 STAINLESS STEEL ASTM A240	3268
.188 (260) BRASS ASTM B19,B36	D064

PART NAME 1-1/4" PIPE SIZE TYPE-D WELD-ON DISK			
MATERIAL 7 GA. HRP&D STEEL ASTM A569			
DATE 10/11/96		THE WAGNER COMPANIES R & B WAGNER, INC. AND J. G. BRAUN CO.	
DRAWN BY RJF			
FINISH MILL	SIZE A	WEIGHT .12 LBS	PART NUMBER 3228
			REV