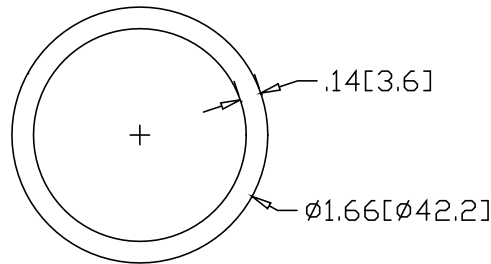
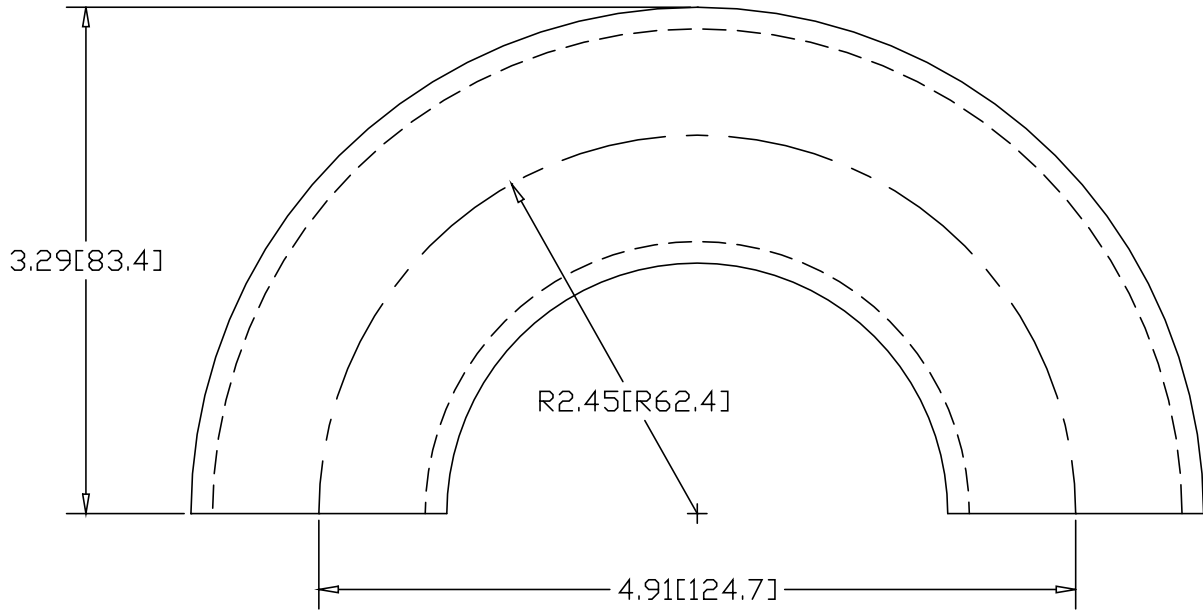



REV
SH
DWG NO 4638

| REVISIONS | | | |
|-----------|-------------|------|----------|
| REV | DESCRIPTION | DATE | APPROVED |



INCHES [MILLIMETERS]

| ALTERNATE MATERIAL | PART NUMBER |
|--|-------------|
| 1-1/4" SCH 40 (6063) ALUMINUM PIPE | 4648 |
| 1-1/4" SCH 40 (304) STAINLESS STEEL PIPE | 4660 |

| | | | | | |
|-----------|---------|---|----------|-------------|-----|
| PART NAME | | 1-1/4" PIPE SIZE 180° ELL X 1-5/8" I.R. | | | |
| MATERIAL | | 1-1/4" SCH 40 STEEL PIPE | | | |
| DATE | 8/18/95 |  R & B WAGNER, INC. | | | |
| DRAWN BY | RJF | | | | |
| FINISH | MILL | SIZE | WEIGHT | PART NUMBER | REV |
| | | A | 1.22 LBS | 4638 | |