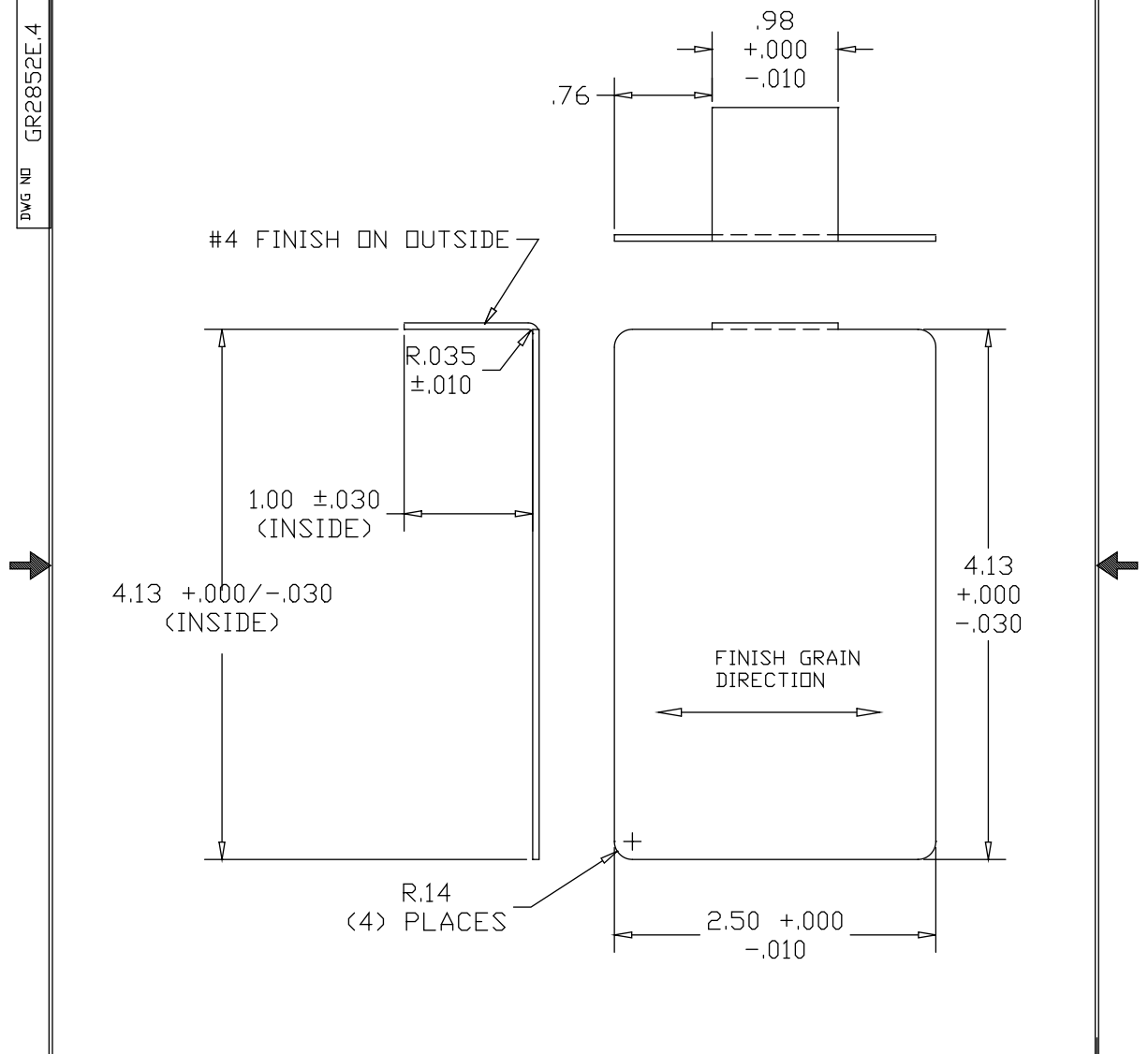


REV 1
SH
DWG NO GR2852E.4

REVISIONS			
REV	DESCRIPTION	DATE	APPROVED
1	MATERIAL THICKNESS WAS .032"	03/07/11	PWH



PART NAME				END CAP, CLADDING, GLASS RAIL SHOE MOLDING			
MATERIAL				.050" 5052-H32 ALUMINUM SHEET			
DATE				01/20/10			
DRAWN BY				RJF			
FINISH				SATIN CLEAR ANODIZED			
SIZE	WEIGHT	PART NUMBER	REV				
A		GR2852E.4	1				



THE WAGNER COMPANIES
R & B WAGNER, INC. AND J. G. BRAUN CO.

