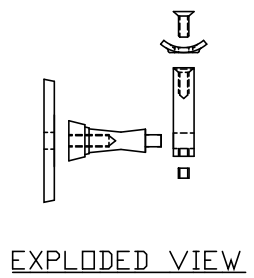
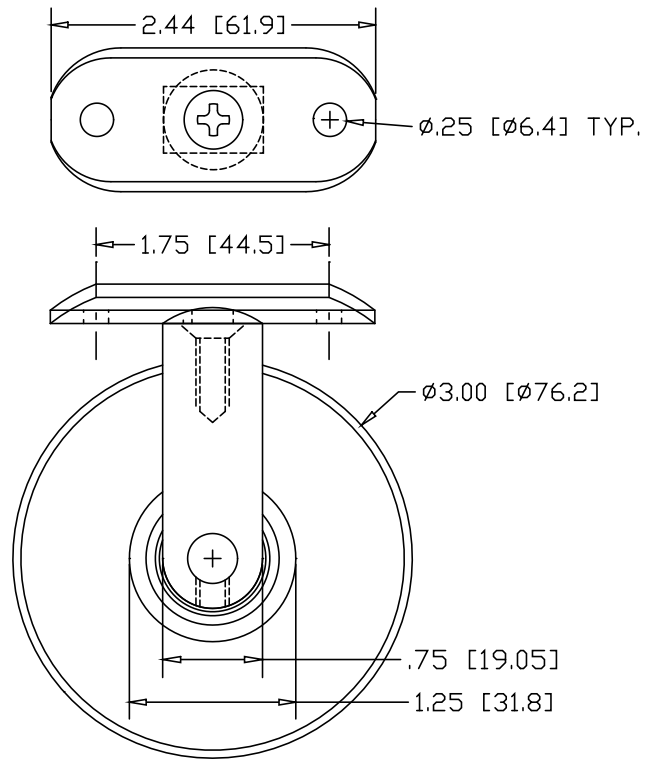
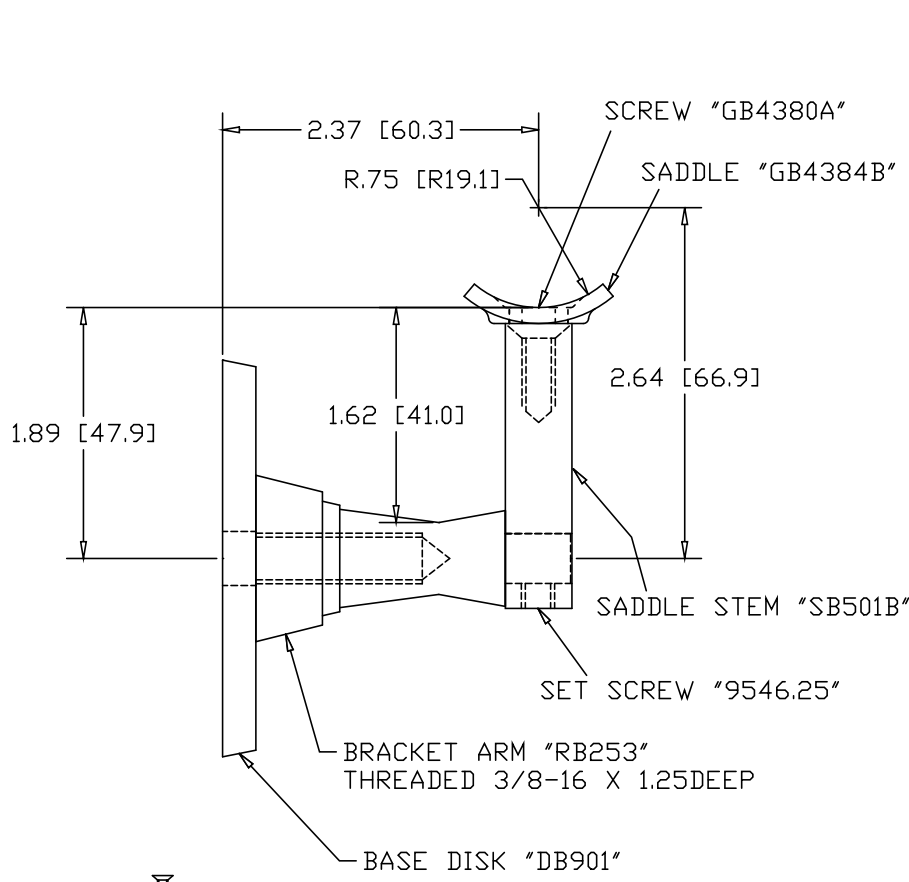



REVISIONS			
REV	DESCRIPTION	DATE	APPROVED
1	REMOVED STEP IN RS253	09/23/10	PWH



INCHES [MILLIMETERS]

PART NAME		MACHINED BRASS BRACKET, WALL MOUNT KIT		
MATERIAL		360 BRASS		
DATE	1/24/07		<b>THE WAGNER COMPANIES</b> R & B WAGNER, INC. AND J. G. BRAUN CO.	
DRAWN BY	RDC			
FINISH	#4 SATIN	SIZE	WEIGHT	PART NUMBER
		A		MB4252W
				REV 1