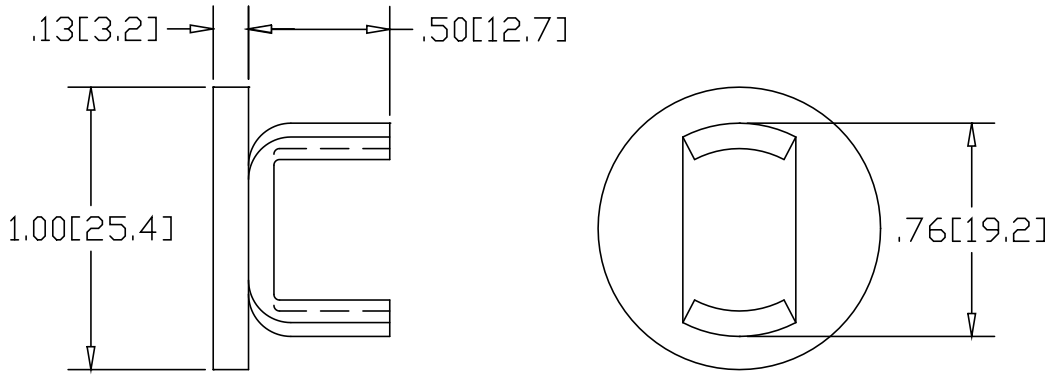



REV
SH
D001E
DWG NO

REVISIONS			
REV	DESCRIPTION	DATE	APPROVED



INCHES [MILLIMETERS]

ALTERNATE MATERIAL	PART NUMBER
.125 (3003) ALUMINUM ASTM B209	D002E
10 GA. (304) STAINLESS STEEL ASTM A240	D003E

PART NAME				1" O.D. X .120W TUBE TYPE "E" DRIVE-ON DISK			
MATERIAL				10 GA. HRP&□ STEEL ASTM A569			
DATE	6/13/96	 THE WAGNER COMPANIES R & B WAGNER, INC. AND J. G. BRAUN CO.		SIZE		WEIGHT	
DRAWN BY	RJF			A		.04 LBS	
FINISH	MILL			PART NUMBER		D001E	
						REV	