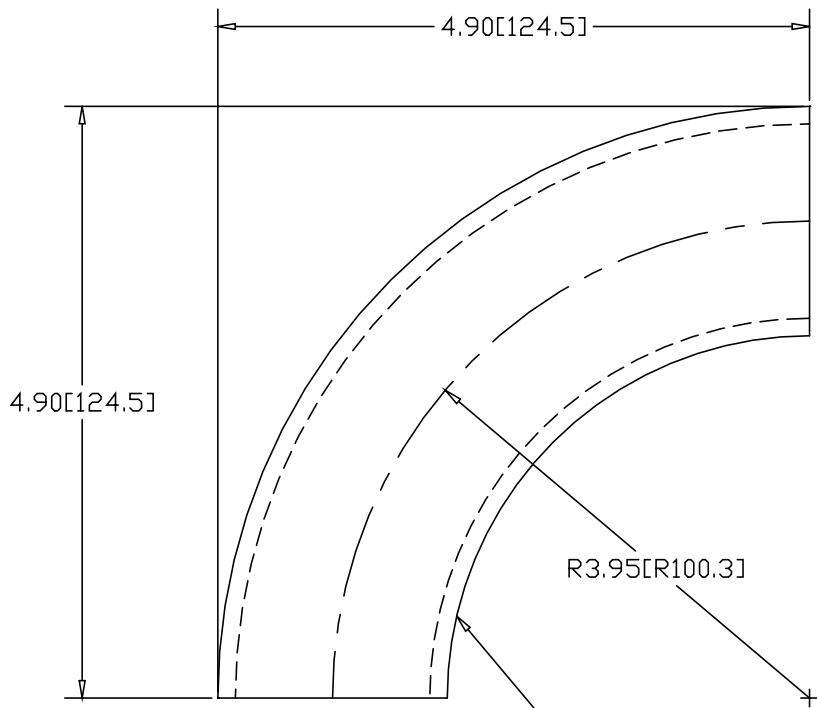


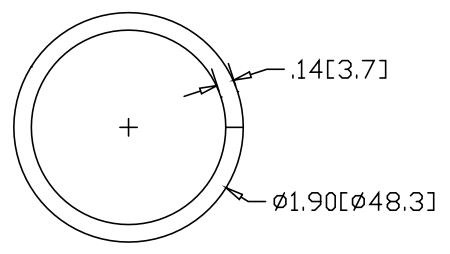
REV
SH
342
DWG NO

REVISIONS			
REV	DESCRIPTION	DATE	APPROVED




R3.95[R100.3]

NOTE: UNWELDED SEAM
ALONG INSIDE RADIUS
(STEEL ELLS ONLY)



INCHES [MILLIMETERS]

ALTERNATE MATERIAL	PART NUMBER
1-1/2" SCH 40 (6063) ALUMINUM PIPE	366
1-1/2" SCH 40 (304) STAINLESS STEEL PIPE	391

PART NAME		1-1/2" PIPE SIZE 90° ELL X 3" I.R.					
MATERIAL		10 GA. HRP&D STEEL ASTM A569					
DATE	9/12/95	 R & B WAGNER, INC.					
DRAWN BY	RJF						
FINISH	MILL						
SIZE	A	WEIGHT	1.36 LBS	PART NUMBER	342	REV	