

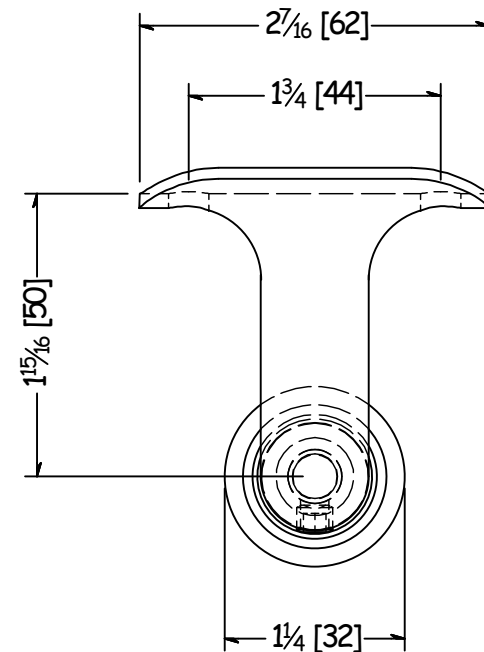
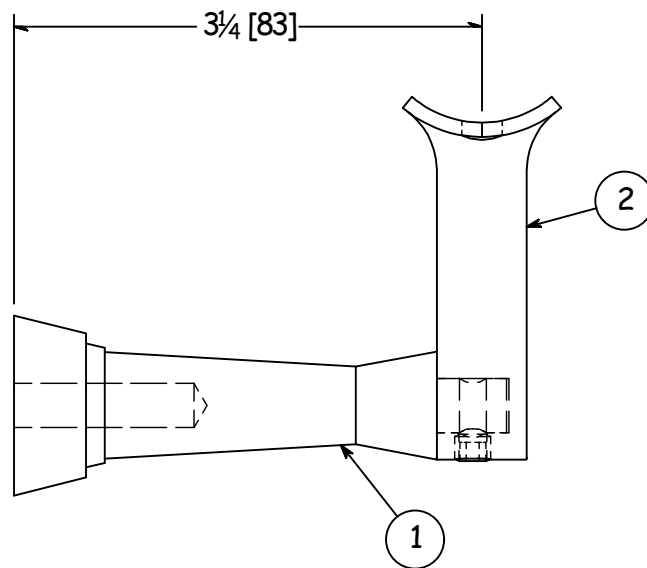
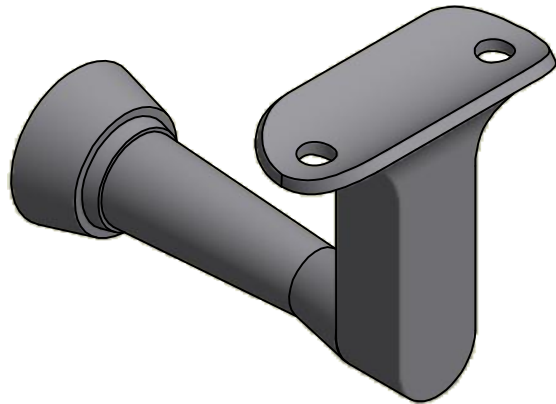
2




1

PARTS LIST

ITEM	QTY	PART NUMBER	DESCRIPTION
1	1	RS3325	Handrail Bracket Arm, SS, Cast, 3 in Long, W/ End Spool, #4 Satin Finish, Type 316
2	1	S3501	Handrail Bracket Saddle And Vertical Arm, SS, Cast, #4 Satin Finish, Type 316



TOLERANCE		FINISH:	DESCRIPTION:			
FRACTION: X/XX..... = ± 1/16" over 4ft. 16 FT RAIL EXAMPLE: 16 FT / 4 FT = 4 * 1/16" = 1/4" 16 FT RAIL..... = ± 1/4"		#4	Handrail Bracket, SS, Post Mount, 3-1/4 Inch From Post to Center of Handrail			
DECIMAL: X.XX..... = ± .030 X.XXX..... = ± .010 UNLESS OTHERWISE NOTED		WEIGHT: 0.75 lbmass	MATERIAL: 316 Stainless	CUSTOMER NAME:		
		SIZE: A	DATE: 2/7/2013	 THE WAGNER COMPANIES R & B WAGNER, INC. AND J. G. BRAUN CO.		
			DRAWN BY: K. Turdo			
			ITEM NUMBER: MB3300P	SHEET: 1 OF 1	DRAWING NUMBER: MB3300P	REV: -

2



1