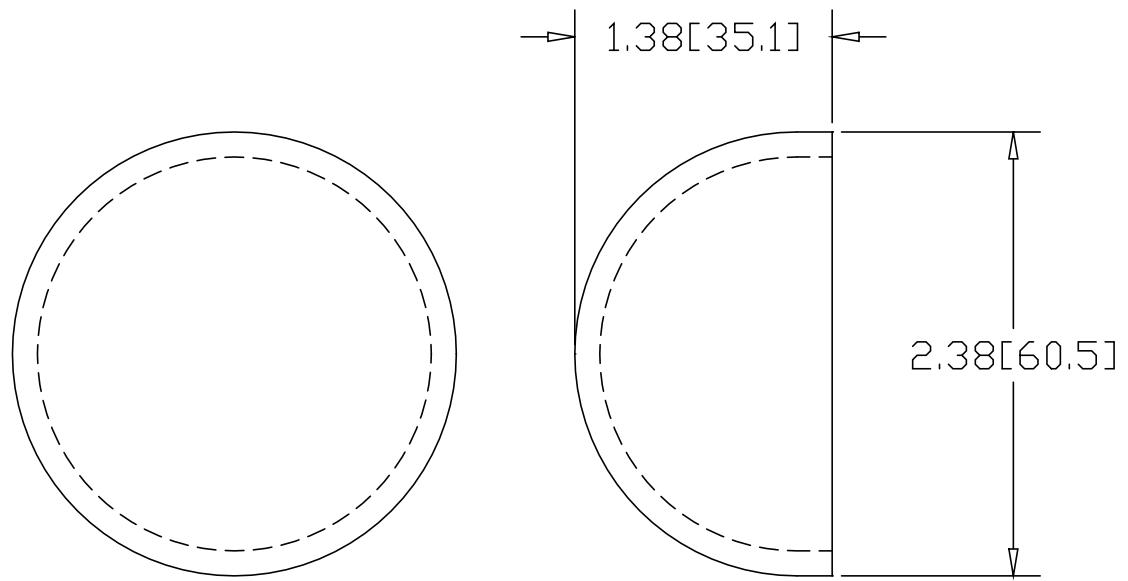
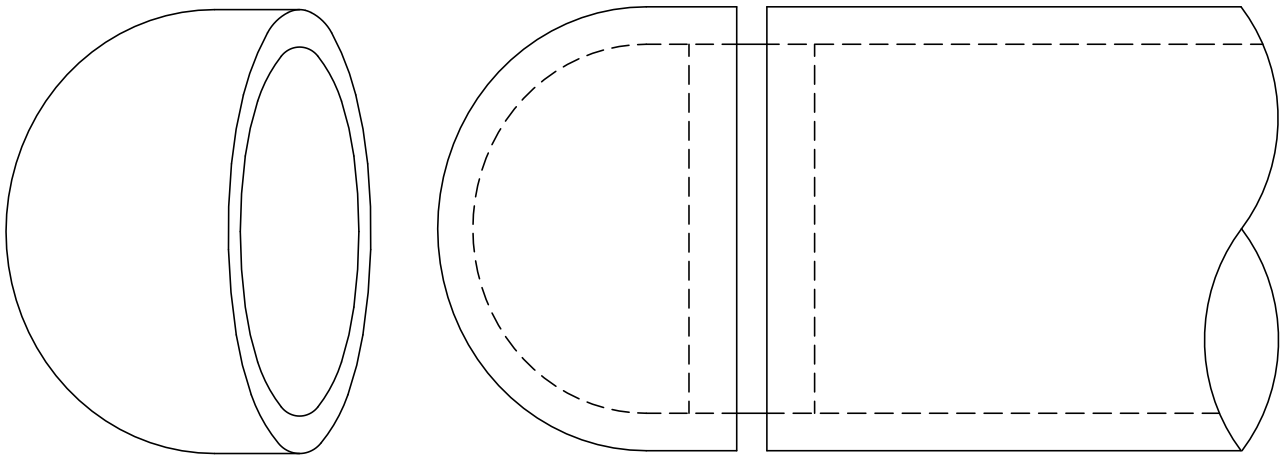



REV  
SH  
DWG NO 3221

REVISIONS			
REV	DESCRIPTION	DATE	APPROVED



INCHES [MILLIMETERS]

ALTERNATE MATERIAL		PART NUMBER					
.125 (3003) ALUMINUM ASTM B209		3241					
11 GA 304 STAINLESS STEEL ASTM A240		3261					
PART NAME 2" PIPE SIZE TYPE-C FLUSH WELD-ON END CAP							
MATERIAL 10 GA. HRP&D STEEL ASTM A569							
DATE	10/11/96	 <b>THE WAGNER COMPANIES</b> R & B WAGNER, INC. AND J. G. BRAUN CO.					
DRAWN BY	RJF						
FINISH	MILL						
SIZE	A	WEIGHT	.34 LBS	PART NUMBER	3221	REV	