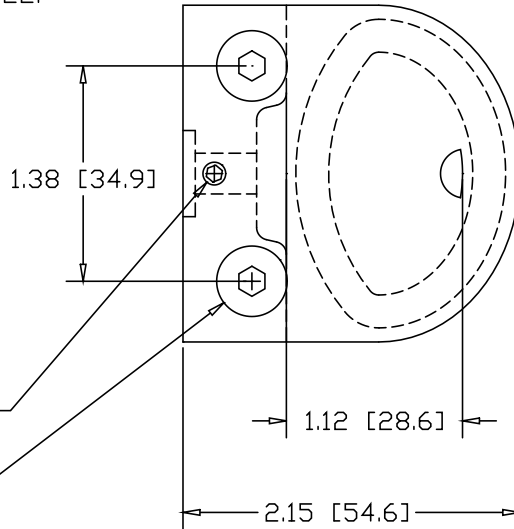
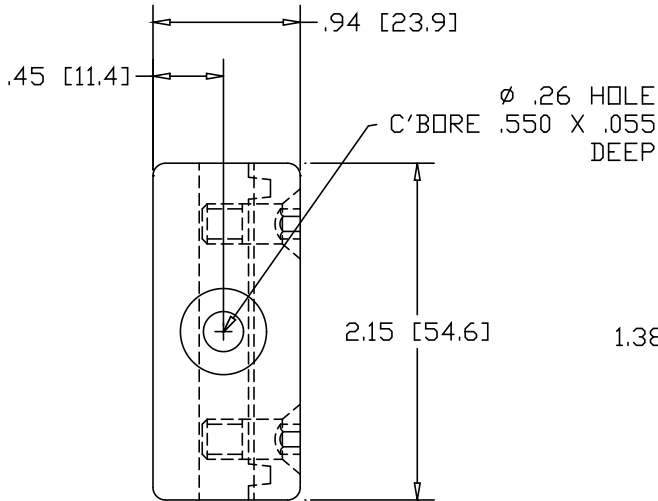
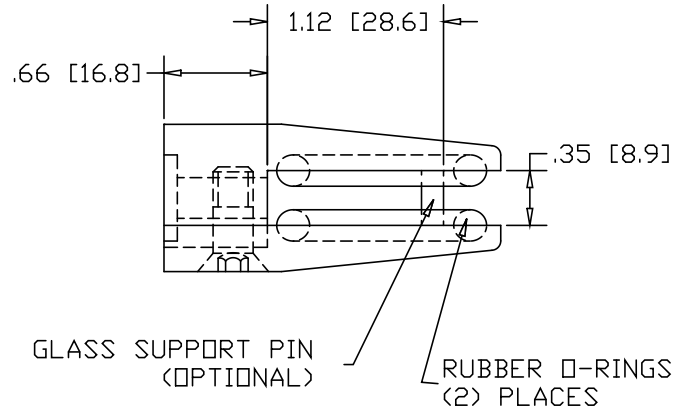


REV  
SH  
DWG NO 152816-F


REVISIONS			
REV	DESCRIPTION	DATE	APPROVED



1/4-20 ADJUSTMENT SET-SCREW

1/4-20 X .62" LONG  
FLAT HEAD MACHINE SCREW

INCHES [MILLIMETERS]

PART NAME		GLASSGRIP FLAT MOUNTING FOR .25" - .38" GLASS					
MATERIAL		TYPE 304 STAINLESS STEEL					
DATE	5/3/05		<b>THE WAGNER COMPANIES</b> R & B WAGNER, INC. AND J. G. BRAUN CO.				
DRAWN BY	DGP						
FINISH	SATIN						
SIZE	A	WEIGHT	.54 LBS	PART NUMBER	152816-F	REV	