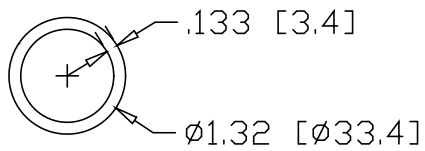
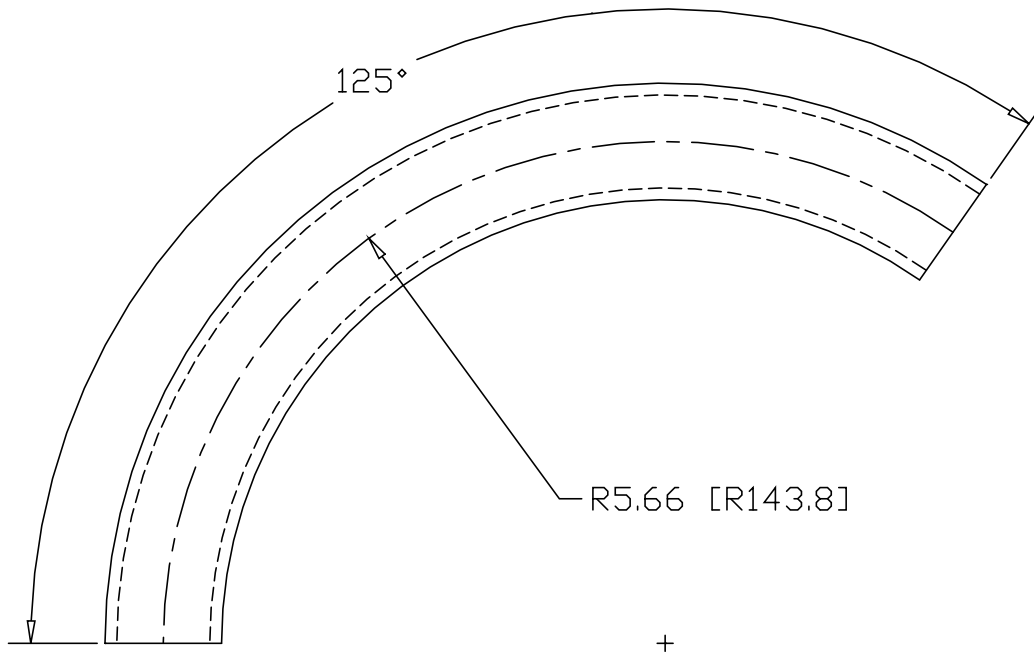



REV
SH
7010
DWG NO

REVISIONS			
REV	DESCRIPTION	DATE	APPROVED



INCHES [MILLIMETERS]

PART NAME		1" PIPE SIZE 125° ELL X 5" I.R.		
MATERIAL		1" SCH 40 A53 STEEL PIPE		
DATE	4/30/96	 THE WAGNER COMPANIES R & B WAGNER, INC. AND J. G. BRAUN CO.		
DRAWN BY	RJF			
FINISH	MILL		SIZE	WEIGHT
		A	1.72 LBS	7010
				REV