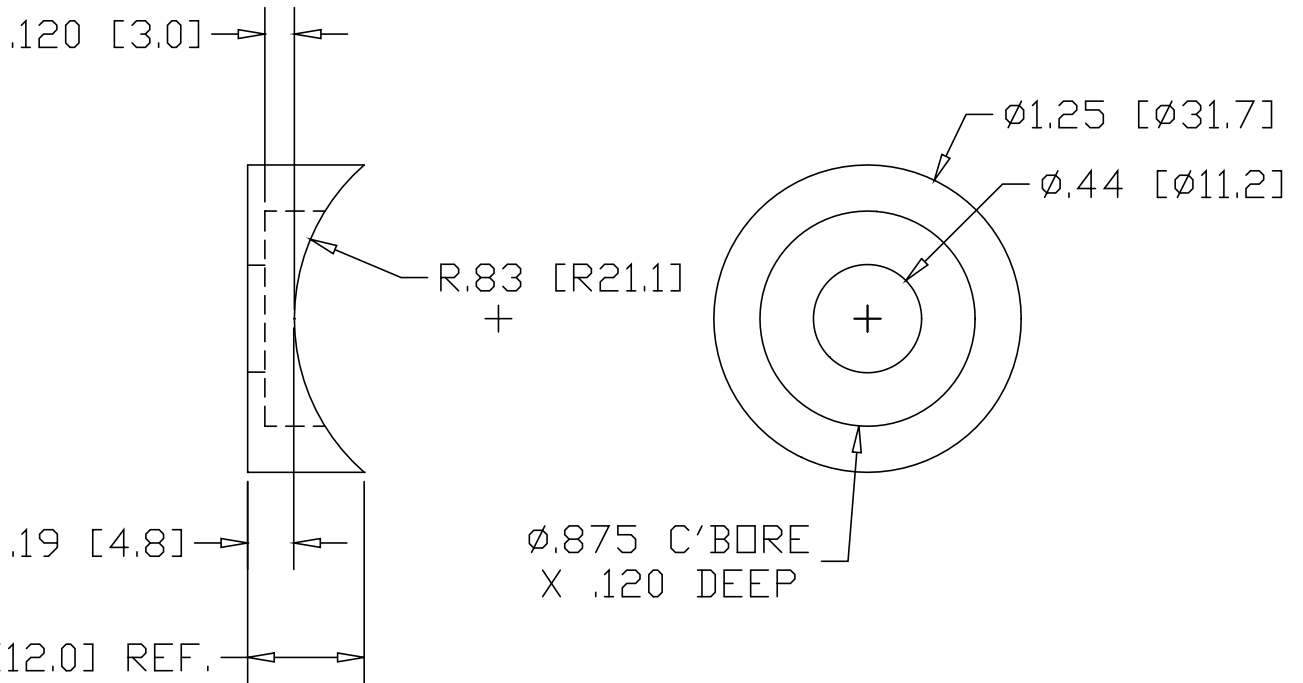



REV
SH
DWG NO AS1607

REVISIONS			
REV	DESCRIPTION	DATE	APPROVED



* BREAK SHARP CORNERS .015 TYPICAL

INCHES [MILLIMETERS]

PART NAME		HANDRAIL MOUNT ADAPTER "A" FOR 1.66" OD POST		
MATERIAL		304 STAINLESS STEEL		
DATE	1/24/07	 THE WAGNER COMPANIES R & B WAGNER, INC. AND J. G. BRAUN CO.		
DRAWN BY	RDC			
FINISH	#4 SATIN			
SIZE	A	WEIGHT	PART NUMBER	AS1607
				REV