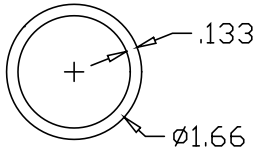
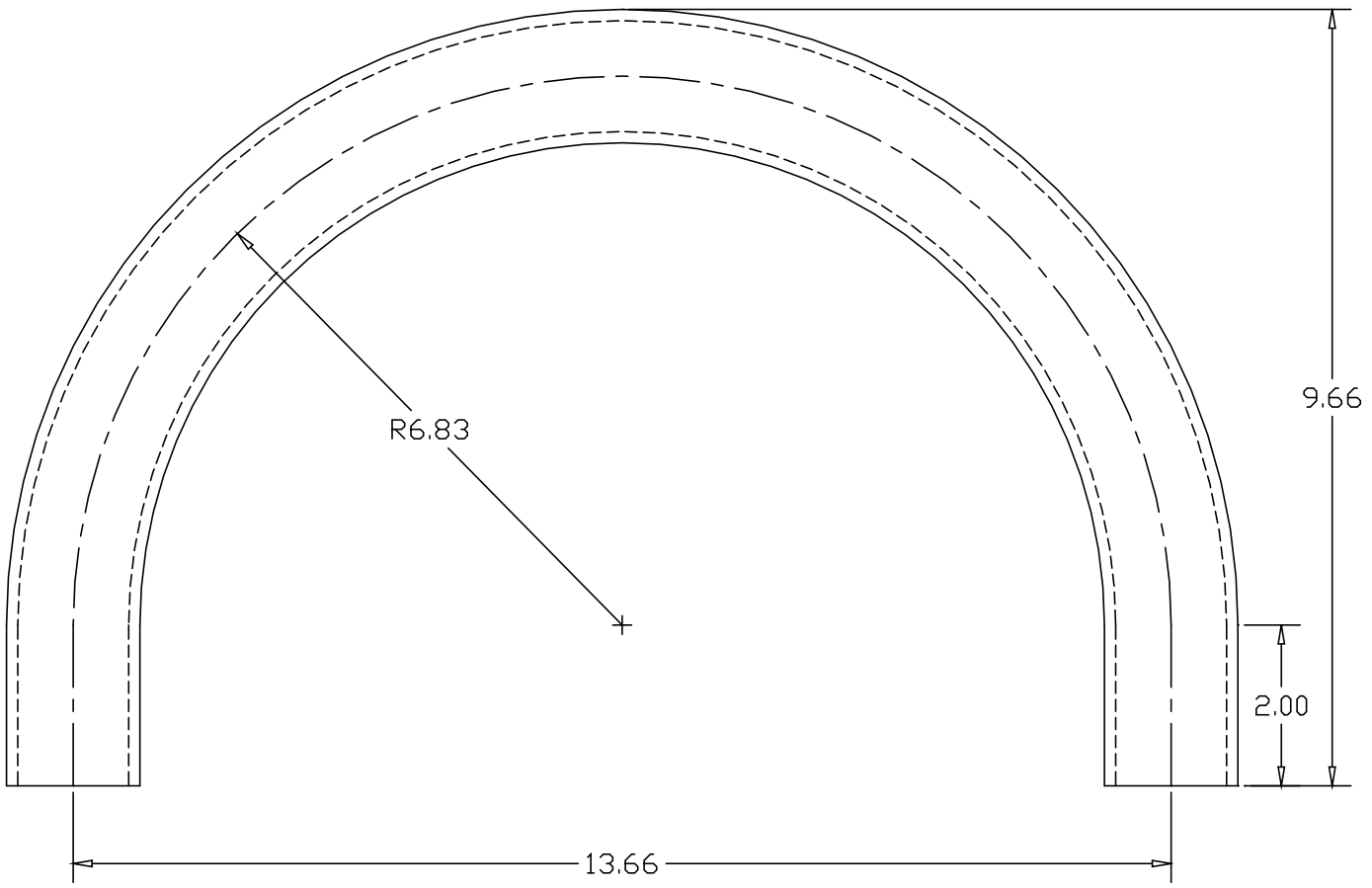


REV
SH
7474
DWG NO

REVISIONS			
REV	DESCRIPTION	DATE	APPROVED



ALTERNATE MATERIAL	PART NUMBER
1-1/4" SCH 40 (6063) ALUMINUM PIPE	7494
1-1/4" SCH 40 (304) STAINLESS STEEL PIPE	7514

PART NAME 1-1/4" PIPE SIZE 180° ELL X 6" I.R. W/ (2) 2" TANGENTS			
MATERIAL 1-1/4" SCH 40 A53 STEEL PIPE			
DATE 8/23/96	WAGNER	R & B WAGNER, INC.	
DRAWN BY RJF			
FINISH MILL			
SIZE A	WEIGHT 4.82 LBS	PART NUMBER 7474	REV