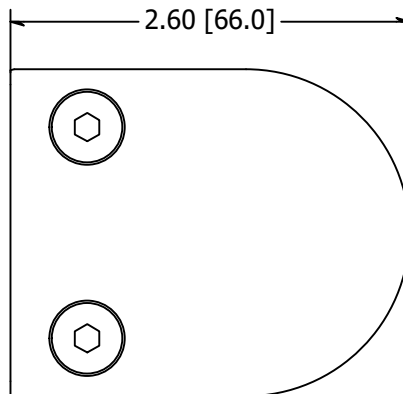
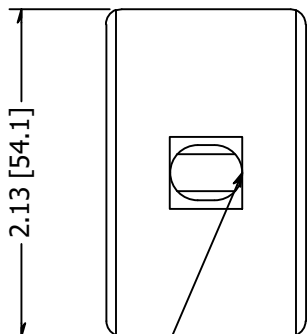
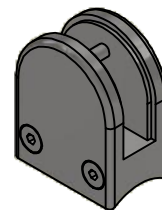


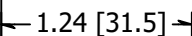
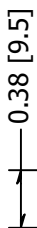
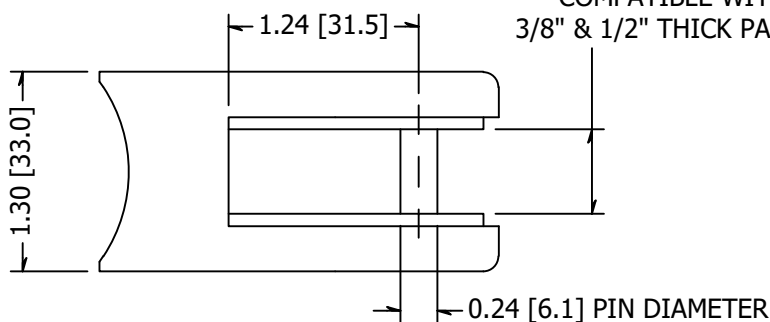
2

1

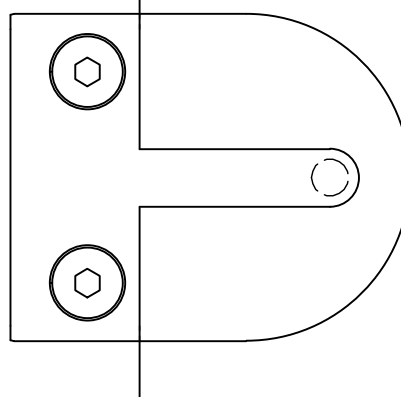


USE M6 SIZE BOLT
TO MOUNT

COMPATIBLE WITH
3/8" & 1/2" THICK PANELS



R0.19 [R4.8]



Notch Reference

REVISION HISTORY

ALTERNATE PARTS	REV	DESCRIPTION	DATE
Part #	1	Initial Drawing	5/22/2022
162813R-2	2	Added Notching Reference	7/18/2023

TOLERANCE UNLESS OTHERWISE NOTED, TOLERANCES TO CONFORM TO ES.03.011	CUT LENGTH:	FINISH: #4 SATIN	DESCRIPTION: Clip, Stainless Steel, Panel, Radius Base, For 2.00 Inch Diameter Tube, For 1/2 Inch Panel, Round Type, Brushed Satin Finish, T	
	DEVELOPED LENGTH:	WEIGHT: N/A	MATERIAL: Stainless Steel	MATERIAL DESC:
	TOOL NUMBER:		DATE: 7/24/2023	REV: 2
			DRAWN BY: H. Malik	PART NUMBER: 152813R-2

WAGNER 10600 W Brown Deer Rd
Milwaukee, WI 53224
COLLABORATIVE METALWORKS <http://www.wagnercompanies.com/>

2

1