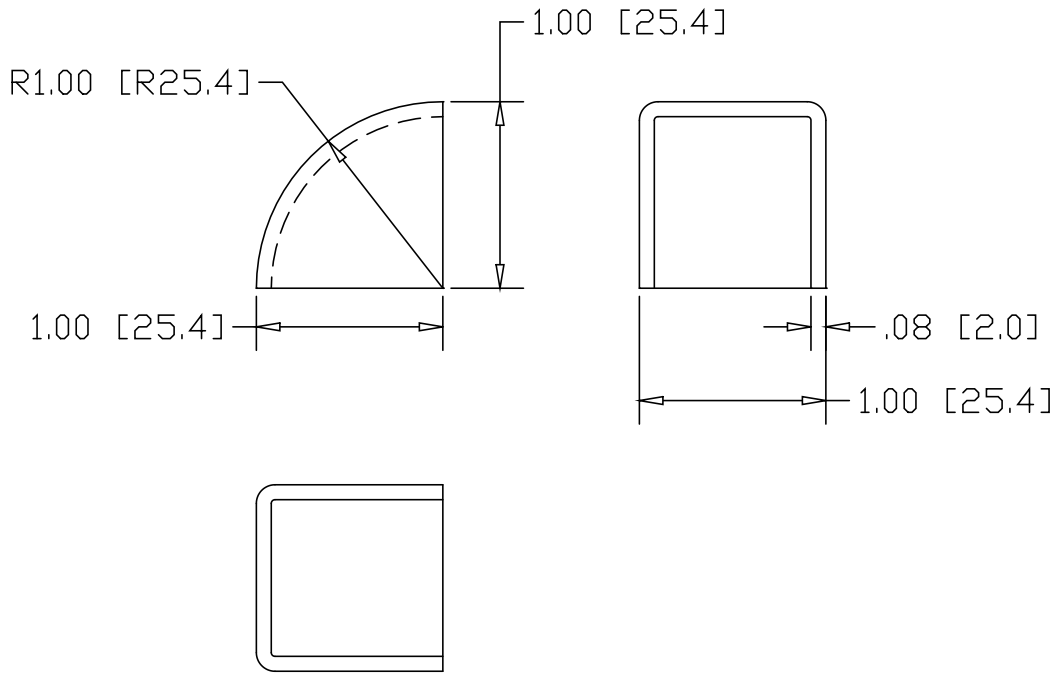



REV
SH
9210
DWG NO

REVISIONS			
REV	DESCRIPTION	DATE	APPROVED



INCHES [MILLIMETERS]

ALTERNATE MATERIAL	PART NUMBER
.080 (3003) ALUMINUM ASTM B209	9211
14 GA. (304) STAINLESS STEEL	9212
.083 (260) BRASS	9213

PART NAME		1" SQUARE TUBE CORNER	
MATERIAL		14 GA. HRP&D STEEL ASTM A569	
DATE	8/26/96	 THE WAGNER COMPANIES R & B WAGNER, INC. AND J. G. BRAUN CO.	REV
DRAWN BY	RJF		
FINISH	MILL		
SIZE	A	WEIGHT	.06 LBS
PART NUMBER		9210	