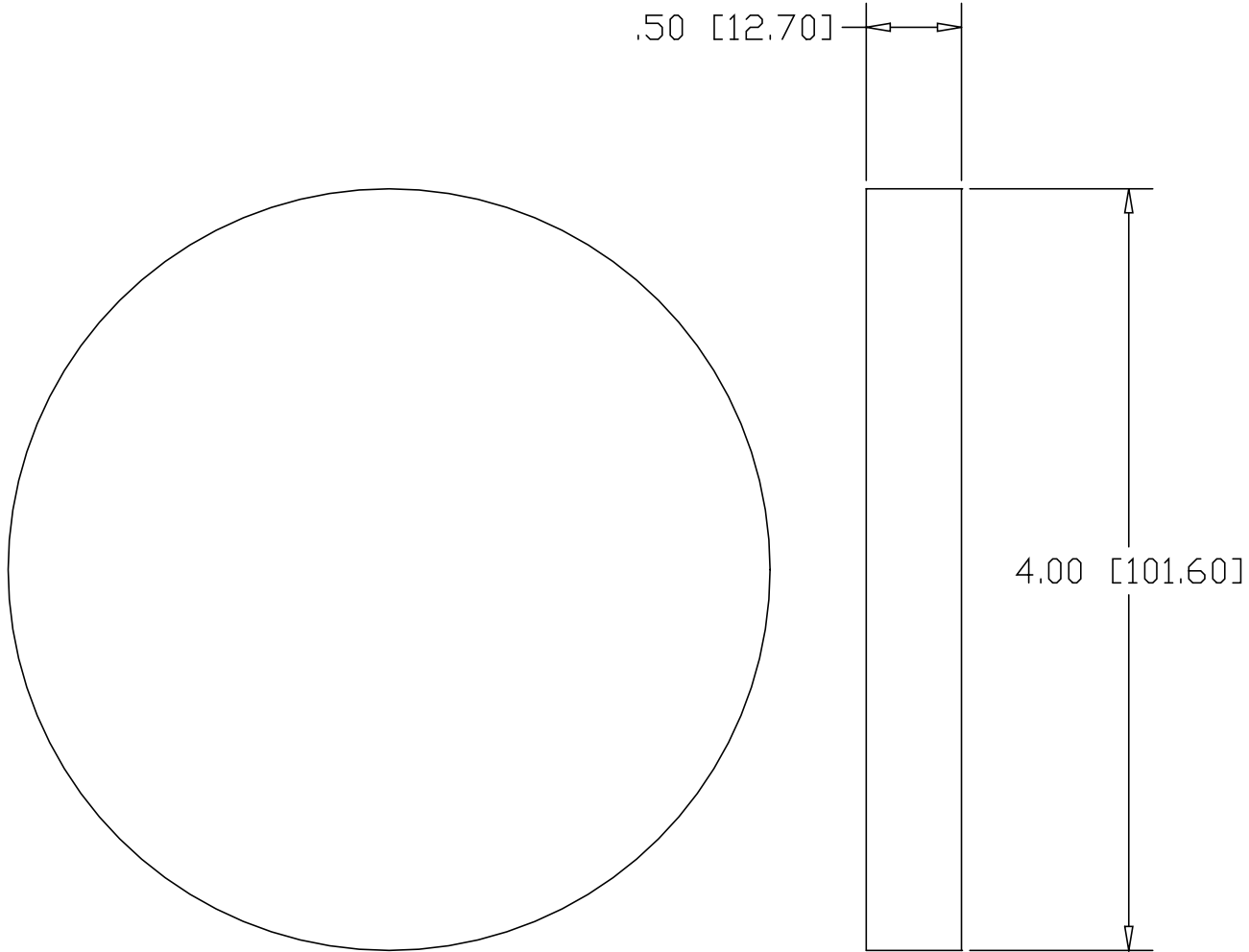



REV  
SH  
DWG NO  
D503

REVISIONS			
REV	DESCRIPTION	DATE	APPROVED



INCHES [MILLIMETERS]

PART NAME		4" HEAVY ROUND STEEL DISK					
MATERIAL		.500" STEEL PLATE A36					
DATE	10/13/03	 <b>THE WAGNER COMPANIES</b> R & B WAGNER, INC. AND J. G. BRAUN CO.					
DRAWN BY	DGP						
FINISH	MILL						
SIZE	A	WEIGHT	1.78 LBS	PART NUMBER	D503	REV	