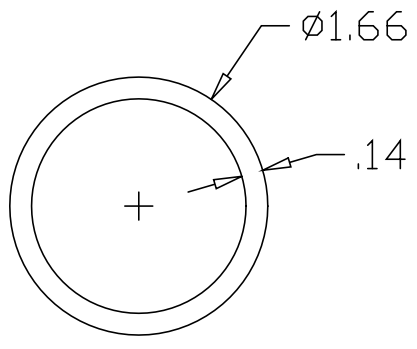
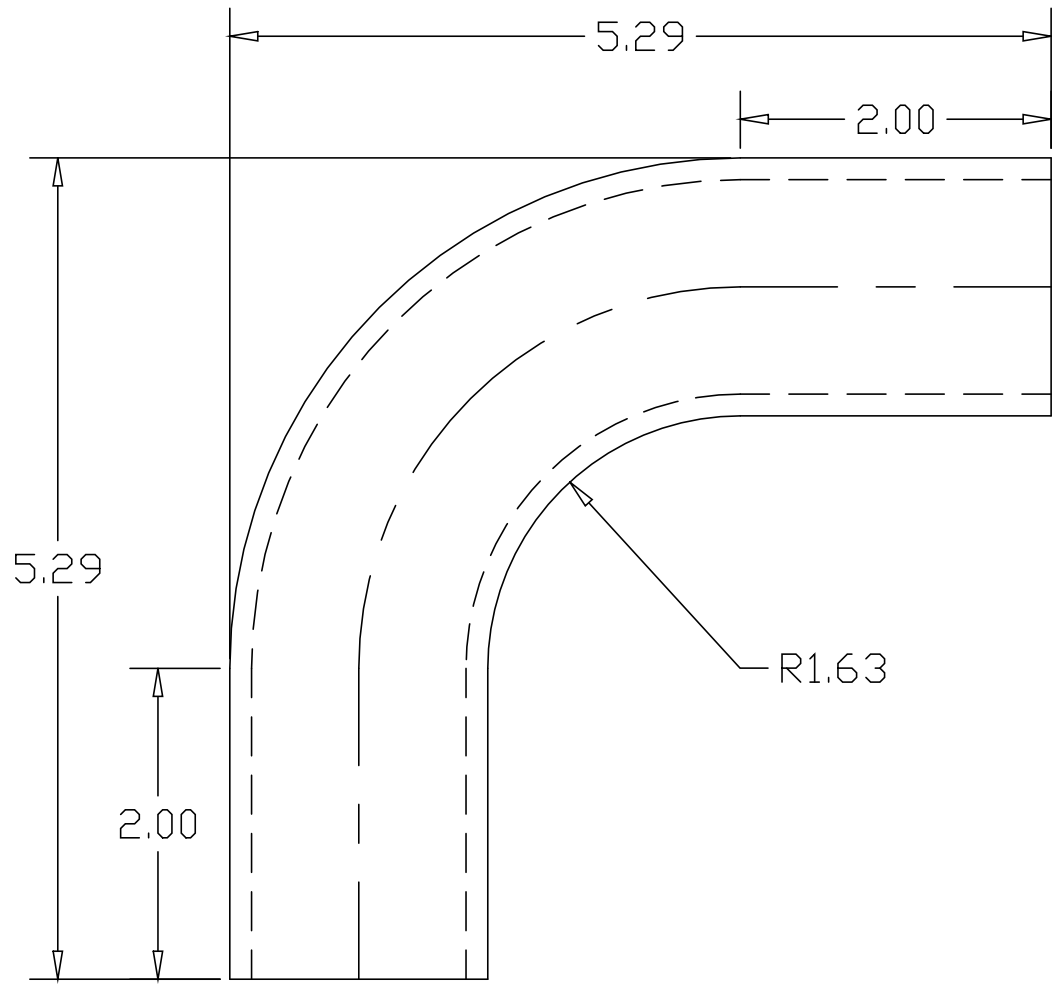



REV
SH
4656
DWG NO

REVISIONS			
REV	DESCRIPTION	DATE	APPROVED



PART NAME		1-5/8" I.R. PIPE ELL WITH (2) 2" TANGENTS			
MATERIAL		1-1/4" SCH 40 (304) STAINLESS STEEL PIPE ASTM- A312			
DATE	12/9/93	 THE WAGNER COMPANIES R & B WAGNER, INC. AND J. G. BRAUN CO.			
DRAWN BY	RJF				
FINISH	MILL				
SIZE	A	WEIGHT	1.42 LBS	PART NUMBER	4656
				REV	