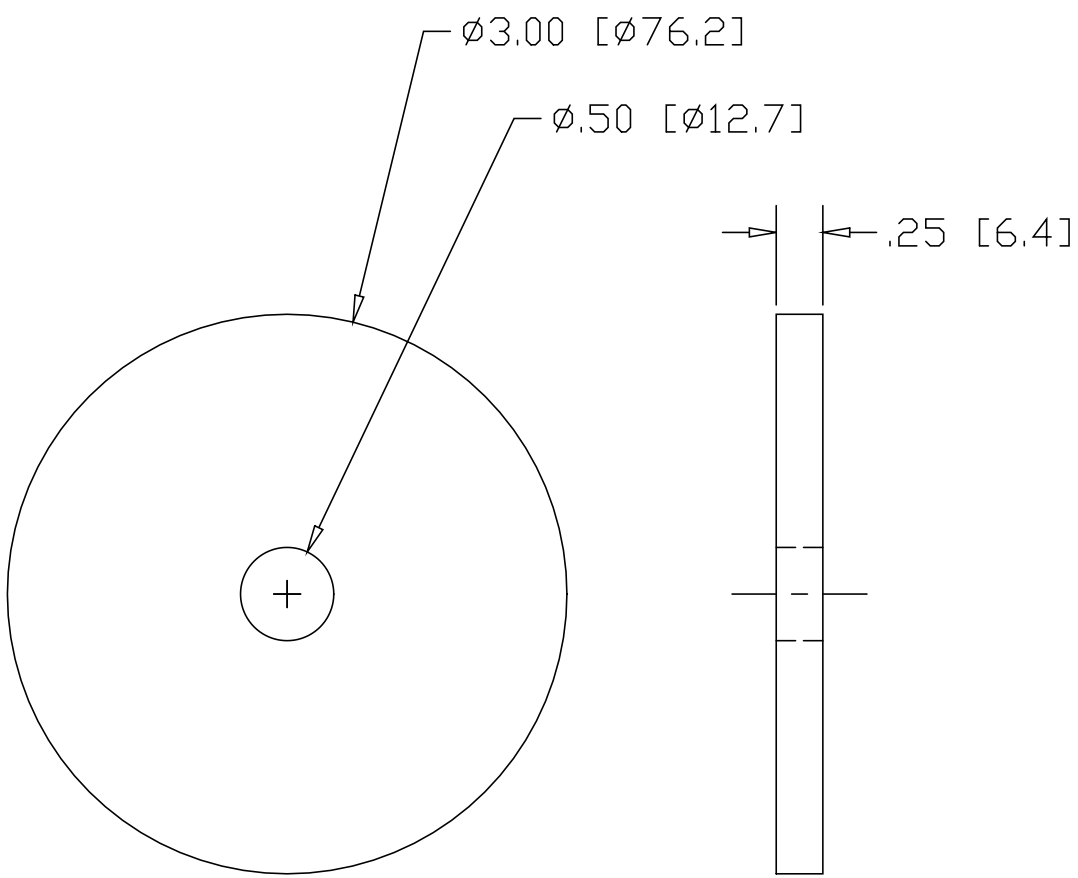



REV  
SH  
D143C5  
DWG NO

REVISIONS			
REV	DESCRIPTION	DATE	APPROVED



INCHES[MILLIMETERS]

ALTERNATE MATERIAL	PART NUMBER
.250 (3003) ALUMINUM ASTM B209	D144C5
.250 (304) STAINLESS STEEL ASTM A240	D145C5
.250 (260) BRASS ASTM B19,B36	D146C5
.250 (280) MUNTZ METAL	D146MC5

PART NAME		3.00" OD BASE DISK WITH .50 DIA CENTER HOLE					
MATERIAL		.250 HRP&D STEEL ASTM A569					
DATE	11/20/98	 <b>THE WAGNER COMPANIES</b> R & B WAGNER, INC. AND J. G. BRAUN CO.					
DRAWN BY	RJF						
FINISH	MILL						
SIZE	A	WEIGHT	.5 LBS	PART NUMBER	D143C5	REV	