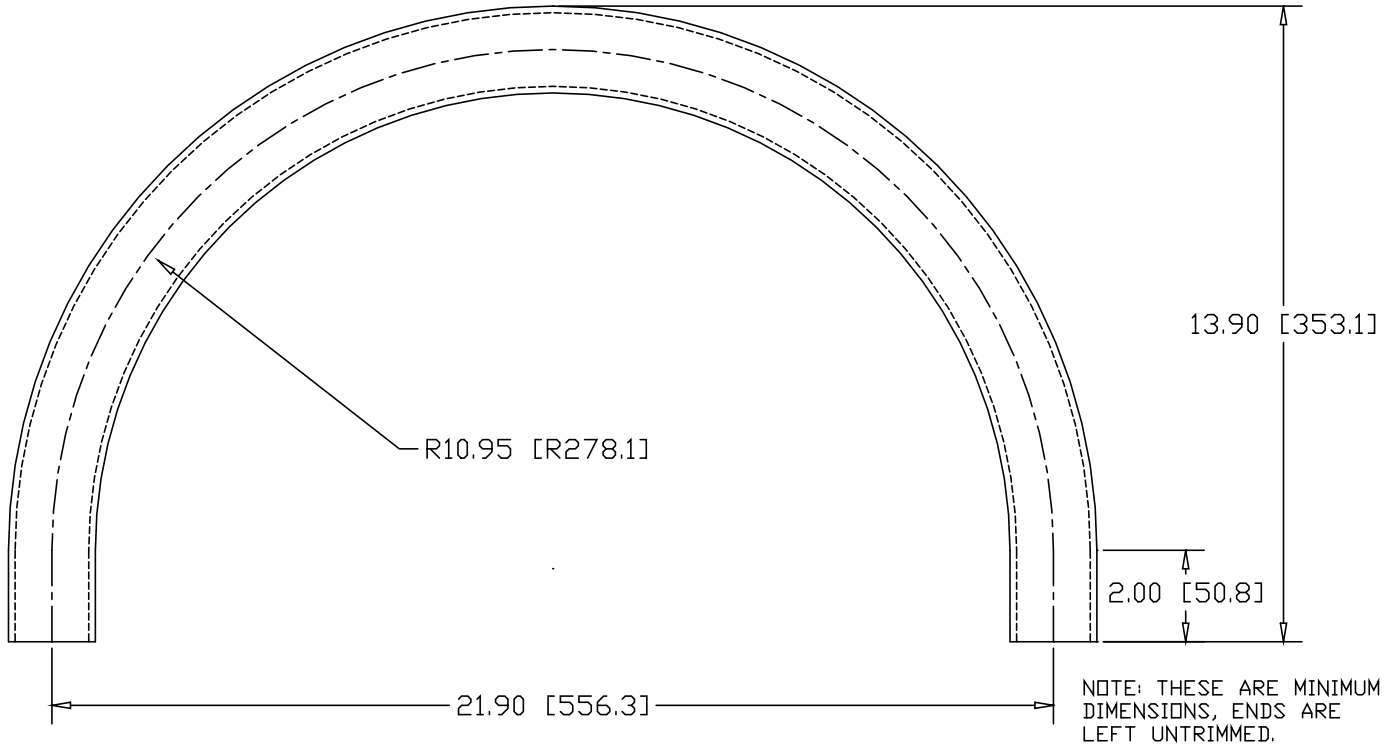
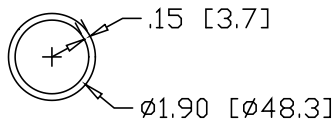


REV  
SH  
8313B  
DWG NO

REVISIONS			
REV	DESCRIPTION	DATE	APPROVED



NOTE: THESE ARE MINIMUM DIMENSIONS, ENDS ARE LEFT UNTRIMMED.



INCHES [MILLIMETERS]

ALTERNATE MATERIAL	PART NUMBER
1-1/2" SCH 40 (6063) ALUMINUM PIPE	8327B
1-1/2" SCH 40 (304) STAINLESS STEEL PIPE	8341B

PART NAME 1-1/2" PIPE SIZE 180° ELL X 10" I.R. W/ (2) 2" TANGENTS			
MATERIAL 1-1/2" SCH 40 A53 STEEL PIPE			
DATE 8/7/01	<b>WAGNER</b>	R & B WAGNER, INC.	
DRAWN BY JAH			
FINISH MILL			
SIZE A	WEIGHT 8.70 LBS	PART NUMBER 8313B	REV