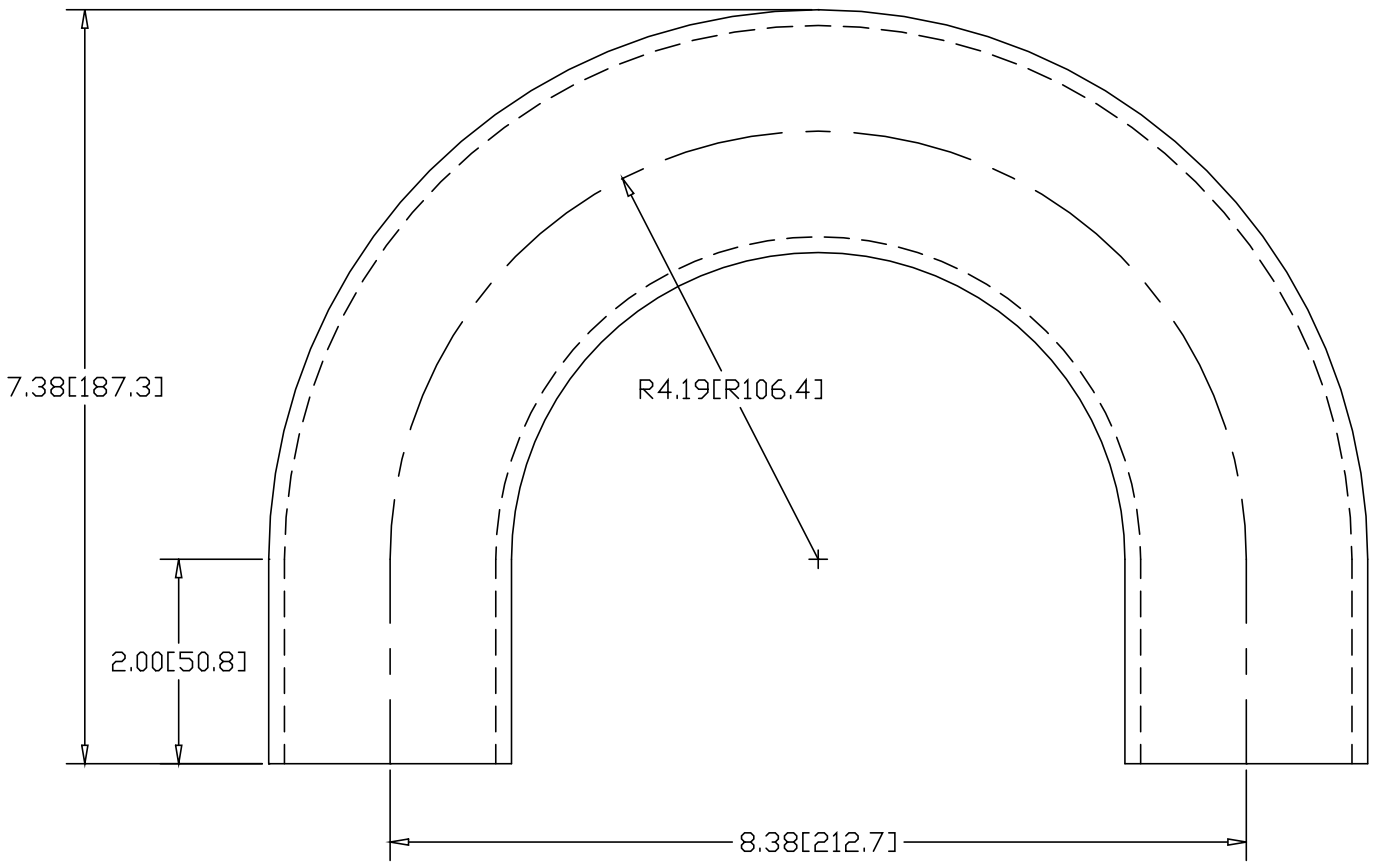


REV
SH
436
DWG NO

REVISIONS			
REV	DESCRIPTION	DATE	APPROVED



INCHES [MILLIMETERS]

ALTERNATE MATERIAL	PART NUMBER
2" SCH 40 (6063) ALUMINUM PIPE	452
2" SCH 40 (304) STAINLESS STEEL PIPE	470

PART NAME 2" PIPE SIZE 180° X 3" I.R. ELL W/(2) 2" TANGENTS			
MATERIAL 2" SCH 40 STEEL PIPE			
DATE 9/14/95	WAGNER	R & B WAGNER, INC.	
DRAWN BY RJF			
FINISH MILL	SIZE A	WEIGHT 5.22 LBS	PART NUMBER 436
			REV