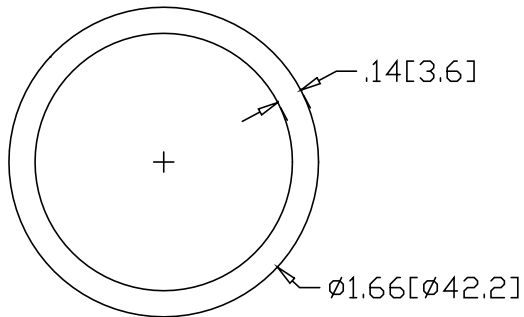
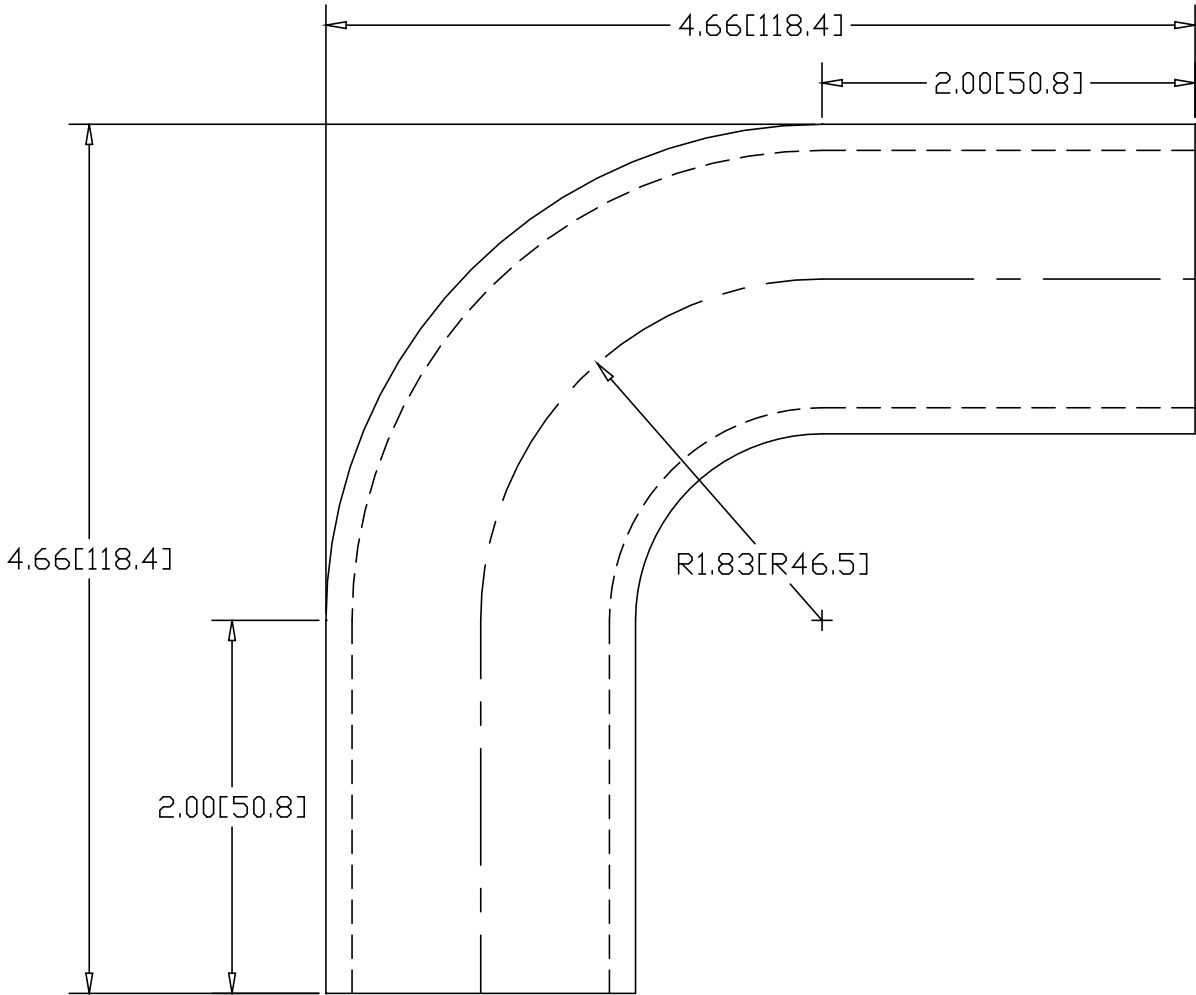



REV  
SH  
266-2  
DWG NO

REVISIONS			
REV	DESCRIPTION	DATE	APPROVED



INCHES [MILLIMETERS]

ALTERNATE MATERIAL	PART NUMBER
1-1/4" SCH 40 (6063) ALUMINUM PIPE	290-2
1-1/4" SCH 40 (304) STAINLESS STEEL PIPE	315-2

PART NAME		1-1/4" PIPE 1" I.R. X 90° ELL W/(2) 2" TANGENTS					
MATERIAL		1-1/4" SCH 40 STEEL PIPE A53					
DATE	04/03/00	 <b>R &amp; B WAGNER, INC.</b>					
DRAWN BY	RJF						
FINISH	MILL						
SIZE	A	WEIGHT	1.30 LBS	PART NUMBER	266-2	REV	