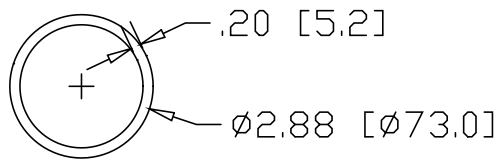
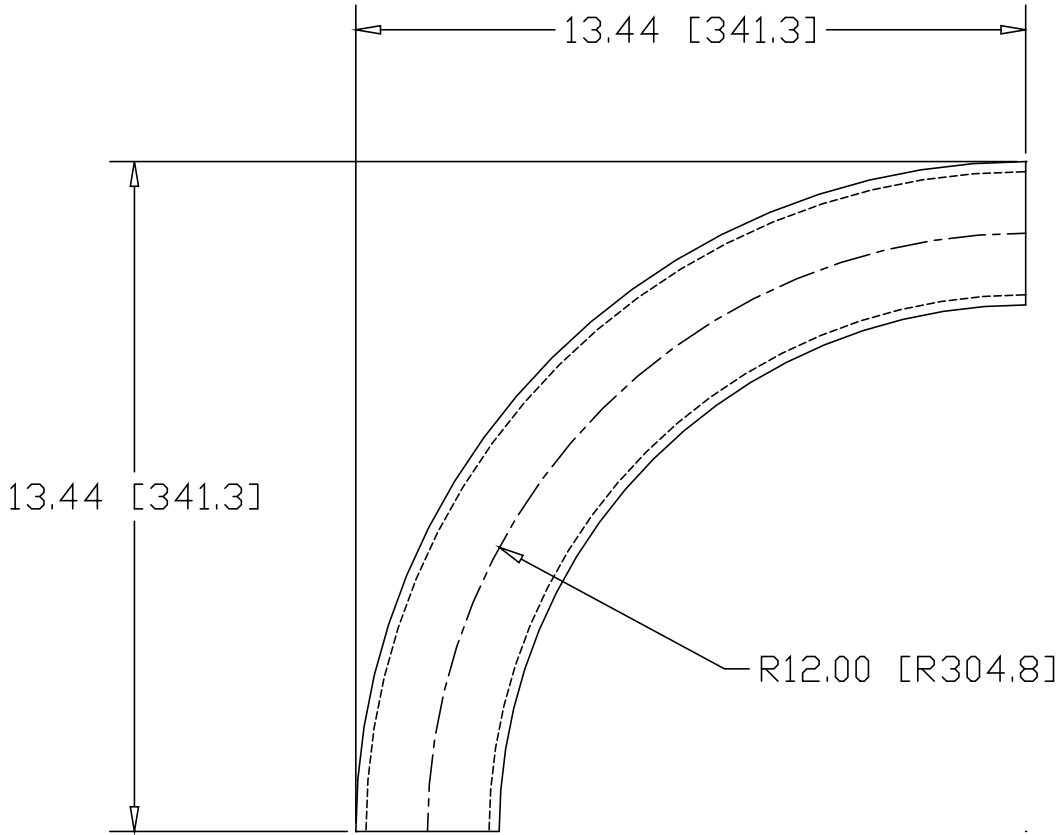



REV  
SH  
9456  
DWG NO

REVISIONS			
REV	DESCRIPTION	DATE	APPROVED



INCHES [MILLIMETERS]

ALTERNATE MATERIAL	PART NUMBER
2-1/2" SCH 40 (6063) ALUMINUM PIPE	9470
2-1/2" SCH 40 (304) STAINLESS STEEL PIPE	9484

PART NAME		2-1/2" PIPE SIZE 90° ELL X 10.56" I.R.					
MATERIAL		2-1/2" SCH 40 A53 STEEL PIPE					
DATE	8/21/01	 <b>R &amp; B WAGNER, INC.</b>					
DRAWN BY	JAH						
FINISH	MILL						
SIZE	A	WEIGHT	9.00 LBS	PART NUMBER	9456	REV	