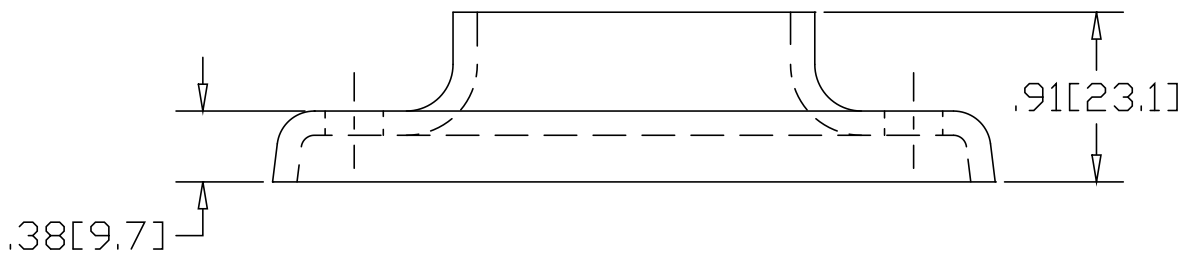
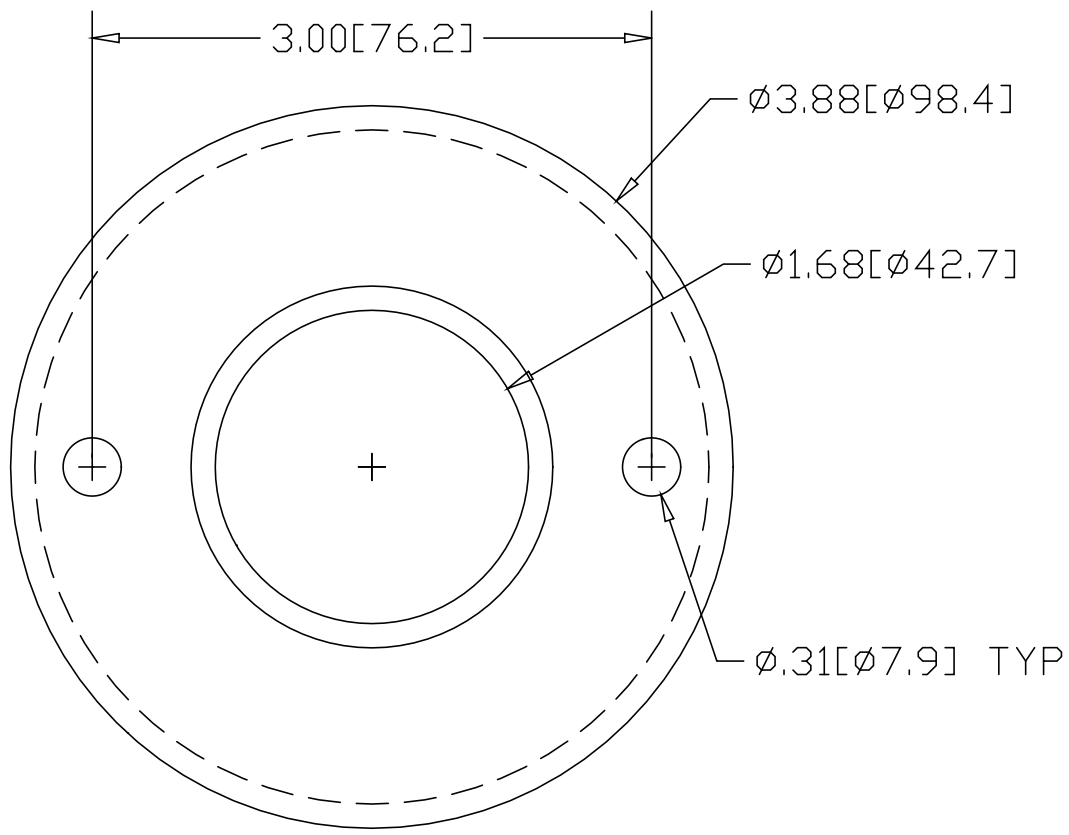


REV
SH
1427
DWG NO


REVISIONS			
REV	DESCRIPTION	DATE	APPROVED



INCHES [MILLIMETERS]

*USE WITH ANCHOR PLATE
#B1432 IN STEEL
#PLB1432 ZINC PLATED STEEL
#B1532 IN STAINLESS STEEL

ALTERNATE MATERIAL	PART NUMBER
.125 (3003) ALUMINUM ASTM B209	1467
10 GA. (304) STAINLESS STEEL ASTM A240	1527

PART NAME		1-1/4" PIPE HEAVY BASE FLANGE W/(2) HOLES					
MATERIAL		10 GA. HRP&D STEEL ASTM A569					
DATE	9/13/94	 R & B WAGNER, INC.					
DRAWN BY	RJF						
FINISH	MILL						
SIZE	A	WEIGHT	.50 LBS	PART NUMBER	1427	REV	