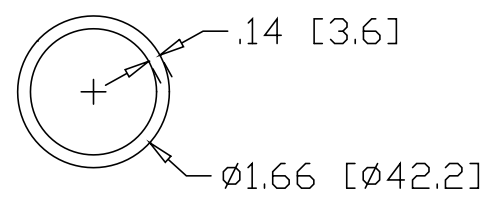
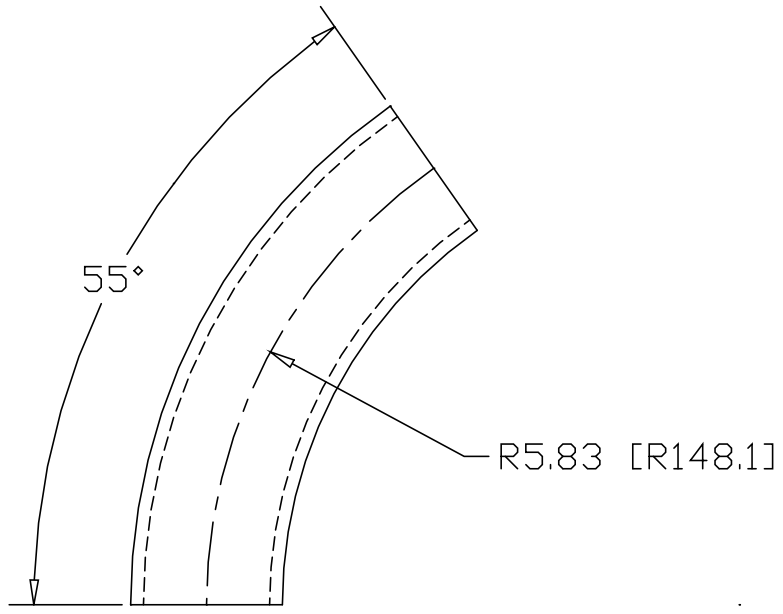



REV
SH
7065
DWG NO

REVISIONS			
REV	DESCRIPTION	DATE	APPROVED



INCHES [MILLIMETERS]

ALTERNATE MATERIAL	PART NUMBER
1-1/4" SCH 40 (6063) ALUMINUM PIPE	7086
1-1/4" SCH 40 (304) STAINLESS STEEL PIPE	7105

PART NAME				1-1/4" PIPE SIZE 55° ELL X 5" I.R.			
MATERIAL				1-1/4" SCH 40 A53 STEEL PIPE			
DATE		7/02/01					
DRAWN BY		JAH					
FINISH		MILL					
SIZE	WEIGHT	PART NUMBER	REV				
A	1.06 LBS	7065					