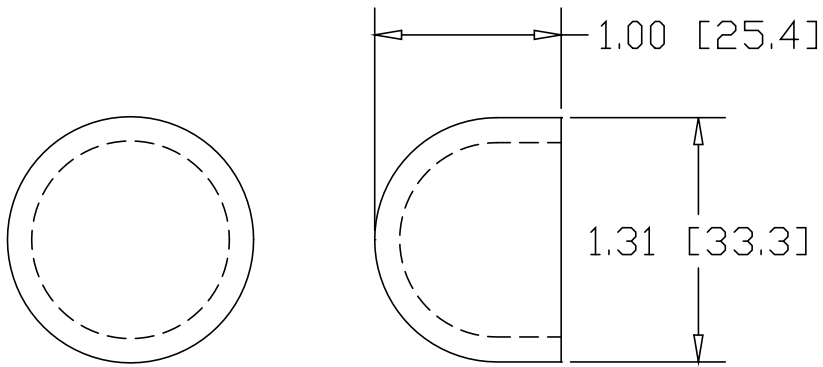
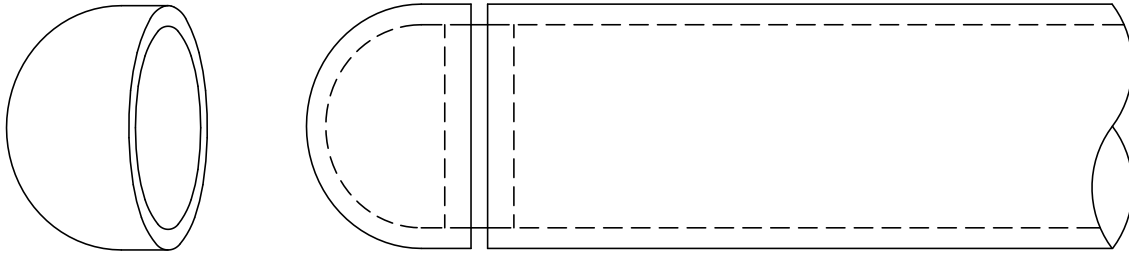



REV  
SH  
DWG NO 3218

REVISIONS			
REV	DESCRIPTION	DATE	APPROVED



INCHES [MILLIMETERS]

ALTERNATE MATERIAL	PART NUMBER
.125 (3003) ALUMINUM ASTM B209	3238
11 GA (304) STAINLESS STEEL ASTM A240	3258
.125 (280) MUNTZ	BZ3218

PART NAME		1" PIPE SIZE TYPE-C FLUSH WELD-ON END CAP		
MATERIAL		10 GA. HRP&D STEEL ASTM A569		
DATE	10/11/96	 <b>THE WAGNER COMPANIES</b> R & B WAGNER, INC. AND J. G. BRAUN CO.		
DRAWN BY	RJF			
FINISH	MILL			
SIZE	WEIGHT	PART NUMBER	REV	
A	.12 LBS	3218		