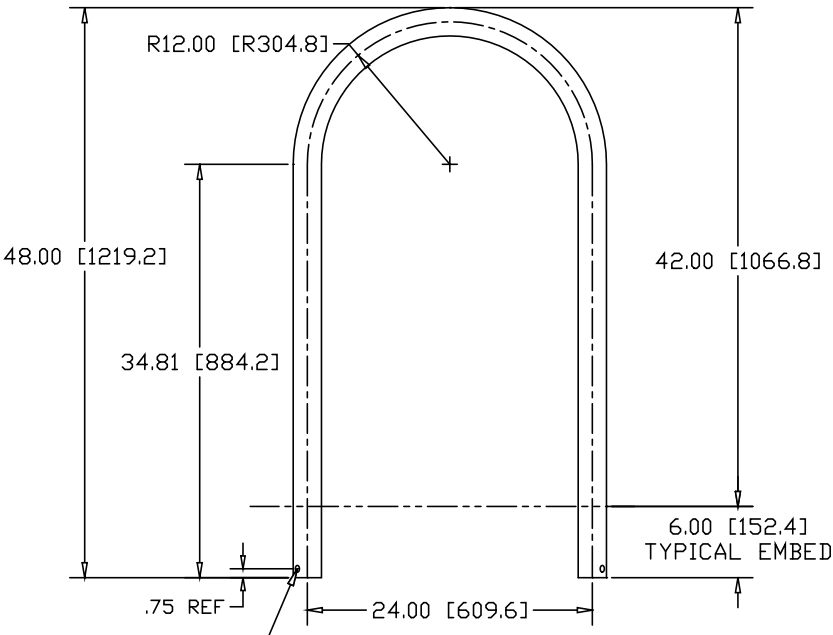


REV B
 SH
 SR1LW
 DWG NO


REVISIONS			
REV	DESCRIPTION	DATE	APPROVED
A	HT WAS 36.00, EMBED WAS 10.00	12/18/06	RJF
B	ADDED BSR1LW	6/25/09	PWH



DRILL Ø.56 HOLE
 .75 IN FROM END
 BOTH LEGS TYPICAL

DL = 107.32"

INCHES [MILLIMETERS]

PART NAME		PRE-GALVANIZED BIKE RACK KIT, SINGLE LOOP		
MATERIAL		BSR1LW (2.375" OD X .120W GALVANIZED STEEL TUBE)		
DATE	05/16/06	 THE WAGNER COMPANIES R & B WAGNER, INC. AND J. G. BRAUN CO.		
DRAWN BY	RJF			
FINISH	GALVANIZED	SIZE	WEIGHT	PART NUMBER
		A	25.83 LBS	SR1LW
				REV B