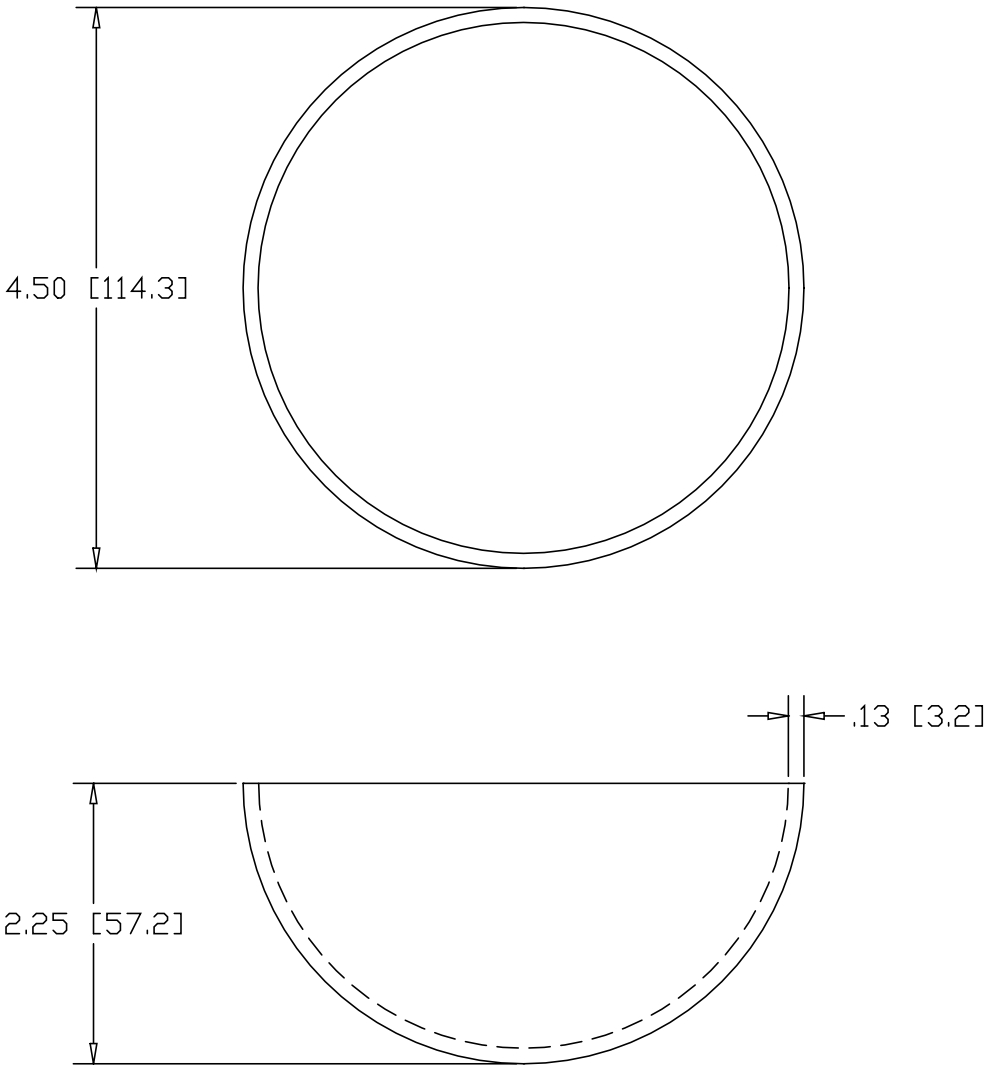


REV  
SH  
DWG NO B4155

| REVISIONS |             |      |          |
|-----------|-------------|------|----------|
| REV       | DESCRIPTION | DATE | APPROVED |



INCHES [MILLIMETERS]

| ALTERNATE MATERIAL                      | PART NUMBER |
|---|-------------|
| .125 (3003) ALUMINUM SHEET ASTM B209    | B4157       |
| 11 GA. (.1200) 304 STAINLESS STEEL A240 | B4158       |
| .125 (260) BRASS                        | B4159       |
| .125 (655) SILICON BRONZE               | BSB4155     |

|             |        |  |  |
|-------------|--------|--|--|
| PART NAME   |        | 4.50" HEMISPHERE                           |  |
| MATERIAL    |        | 11 GA. (.1196) HRP&D STEEL SHEET ASTM A569 |  |
| DATE        | 1/4/00 |  | THE WAGNER COMPANIES<br>R & B WAGNER, INC. AND J. G. BRAUN CO. |
| DRAWN BY    | RJF    |  |  |
| FINISH      | MILL   |  |  |
| SIZE        | A      | WEIGHT                                     | 1.06 LBS   |
| PART NUMBER |        | B4155                                      |  |
| REV         |        |  |  |