

REV

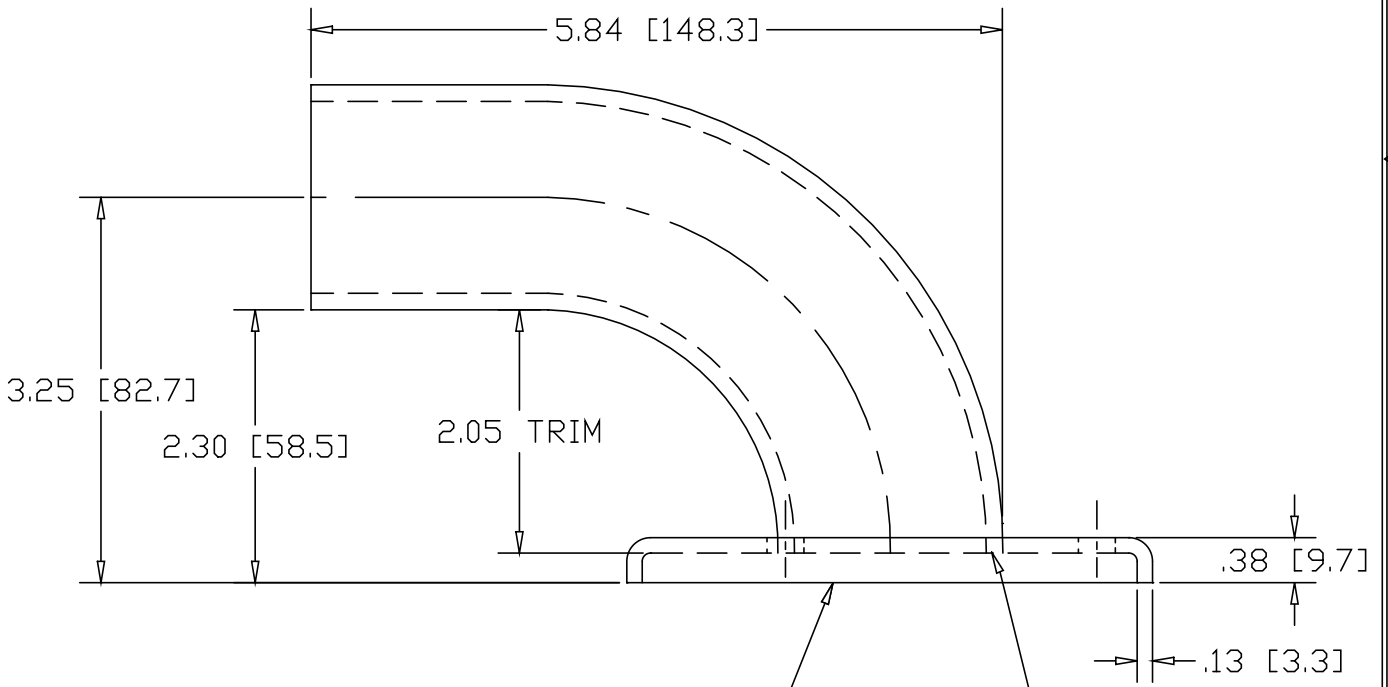
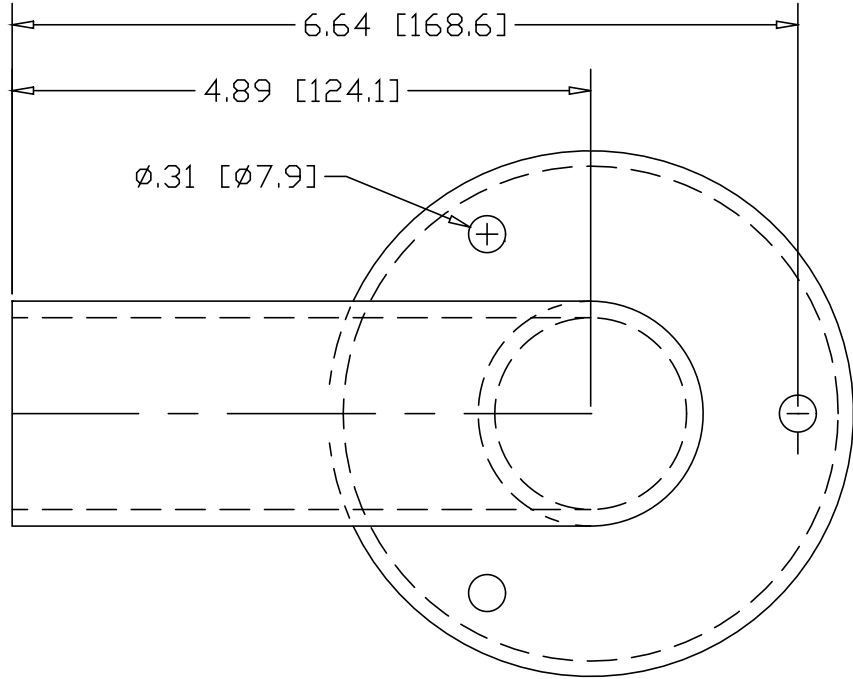
SH

1165-3

DWG NO

REVISIONS

REV	DESCRIPTION	DATE	APPROVED
-----	-------------	------	----------



HEAVY FLUSH BASE  
PIPE FLANGE #2575A

WELD ALL-AROUND  
INCHES [MILLIMETERS]

PART NAME		1-1/2" PIPE SIZE X 3.25"CL WALL RETURN W/3 HOLES		
MATERIAL		6063 ALUMINUM		
DATE	1/10/07		<b>THE WAGNER COMPANIES</b> R & B WAGNER, INC. AND J. G. BRAUN CO.	
DRAWN BY	RDC			
FINISH	MILL			
SIZE	A	WEIGHT	PART NUMBER	1165-3
			REV	