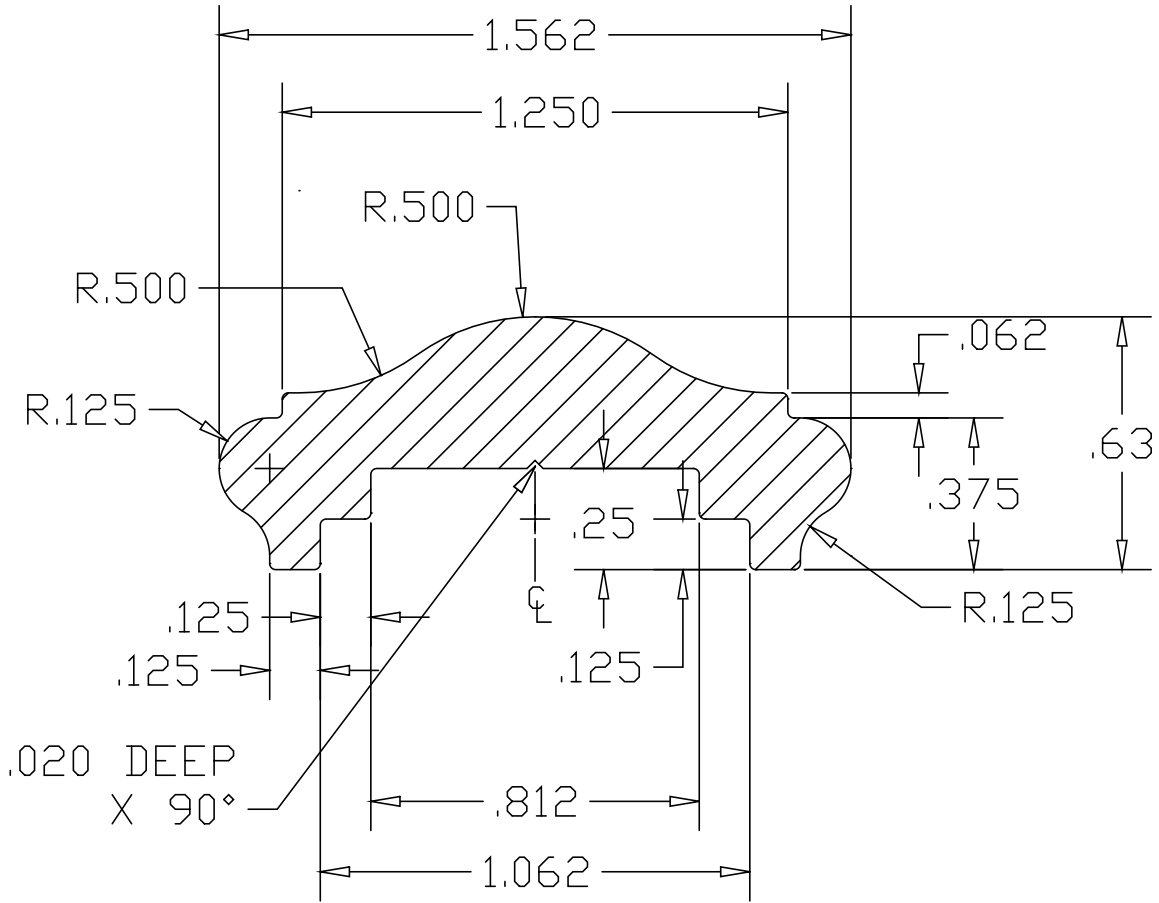


REV
SH
H2901
DWG NO

REVISIONS			
REV	DESCRIPTION	DATE	APPROVED



BREAK SHARP CORNERS .015R

UNLESS OTHERWISE SPECIFIED DIMENSIONS ON THIS DRAWING ARE SUBJECT TO THE FOLLOWING TOLERANCES:

- X.X = .100
- X.XX = .030
- X.XXX = .010

PART NAME		EXTRUDED ALUMINUM HANDRAIL		
MATERIAL		6063-T52 ALUMINUM		
DATE	11/14/07		THE WAGNER COMPANIES R & B WAGNER, INC. AND J. G. BRAUN CO.	
DRAWN BY	RJF			
FINISH	MILL	SIZE	WEIGHT	PART NUMBER
		A	.550 LBS/FT	H2901
				REV