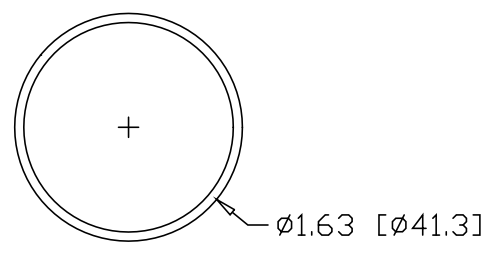
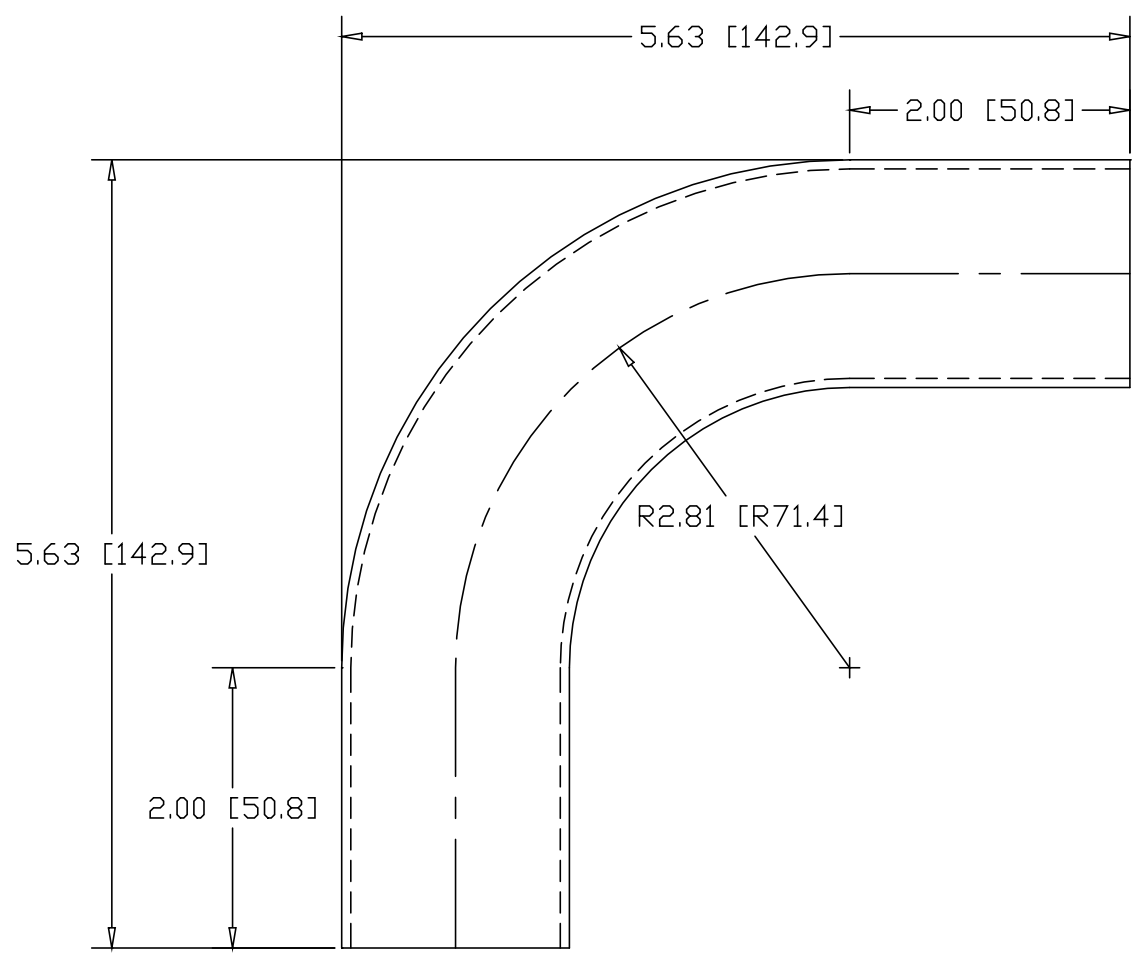



REV  
SH  
7908T  
DWG NO

REVISIONS			
REV	DESCRIPTION	DATE	APPROVED



INCHES [MILLIMETERS]

ALTERNATE MATERIAL	PART NUMBER
1.63" O.D. X .125W (6061-T1) ALUMINUM TUBE	7924T
1.63" O.D. X .065W (304) STAINLESS STEEL TUBE	7940T

PART NAME 1.63" O.D. TUBE 90° ELL X 2.81 CLR W/ (2) 2" TANGENTS			
MATERIAL 1.63" O.D. X .065W STEEL TUBE			
DATE 8/21/00	 <b>R &amp; B WAGNER, INC.</b>		
DRAWN BY RJF			
FINISH MILL	SIZE A	WEIGHT .76 LBS	PART NUMBER 7908T
			REV