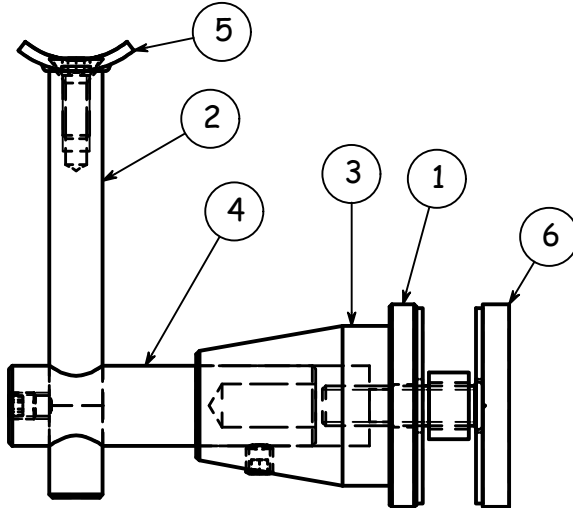
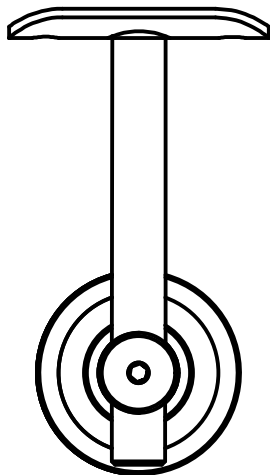
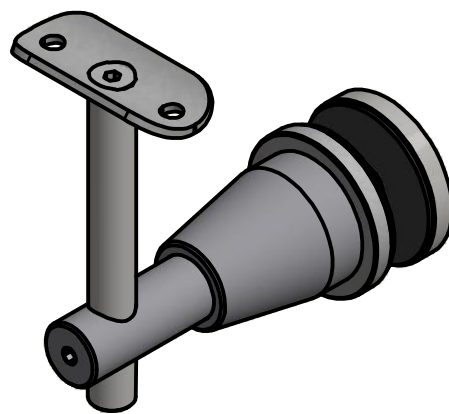
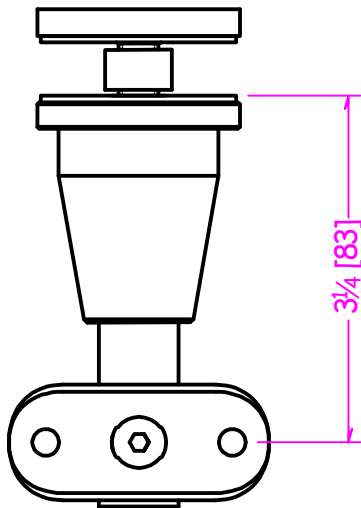




PARTS LIST

ITEM	QTY	PART NUMBER	DESCRIPTION
1	1	WR3900D	HANDRAIL, BRACKET WALL MOUNT DISK, 1.9 in
2	1	WR3151ST	Handrail Bracket Stem, SS, Cast, .500 Inch, 4.00 Inch, #4 Satin Finish, Type 316
3	1	WR3166SFHUB	Handrail Bracket Hub, SS, Cast, 1.50 in W/ 3/8 in Threaded Hole, #4 Satin Finish
4	1	WR3168SFHARM	Handrail Bracket Arm, SS, Cast, Horizontal, .75 in Dia, 2.875 in Long, #4 Satin
5	1	GB4382B.316	Bracket Saddle, SS, W/Countersunk Center Hole #4 Finish, TYPE 316
6	1	GB4389K	HANDRAIL BRACKET GLASS MOUNT ADAPTER ASSY, SS, 1.90 DIA, FOR 1/2" GLASS



REVISION HISTORY		
REV	DESCRIPTION	DATE
1	CHANGED TO 316	1/8/2014

TOLERANCE FRACTION: X/XX..... = ± 1/16" over 4ft. 16 FT RAIL EXAMPLE: 16 FT / 4 FT = 4 * 1/16" = 1/4" 16 FT RAIL..... = ± 1/4" DECIMAL: X.XX..... = ± .030 X.XXX..... = ± .010 UNLESS OTHERWISE NOTED	FINISH:	#4		DESCRIPTION:	ASSY, HANDRAIL BRACKET GLASS MOUNT, Type 316		
	WEIGHT:	N/A		MATERIAL:	CUSTOMER NAME:		
	DATE:	10/2/2013		DRAWN BY:	THE WAGNER COMPANIES R & B WAGNER, INC. AND J. G. BRAUN CO.		
	SIZE:	A		ITEM NUMBER:			
		GR3900		1 OF 1		GR3900	
						REV: 1	

