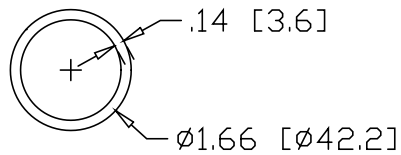
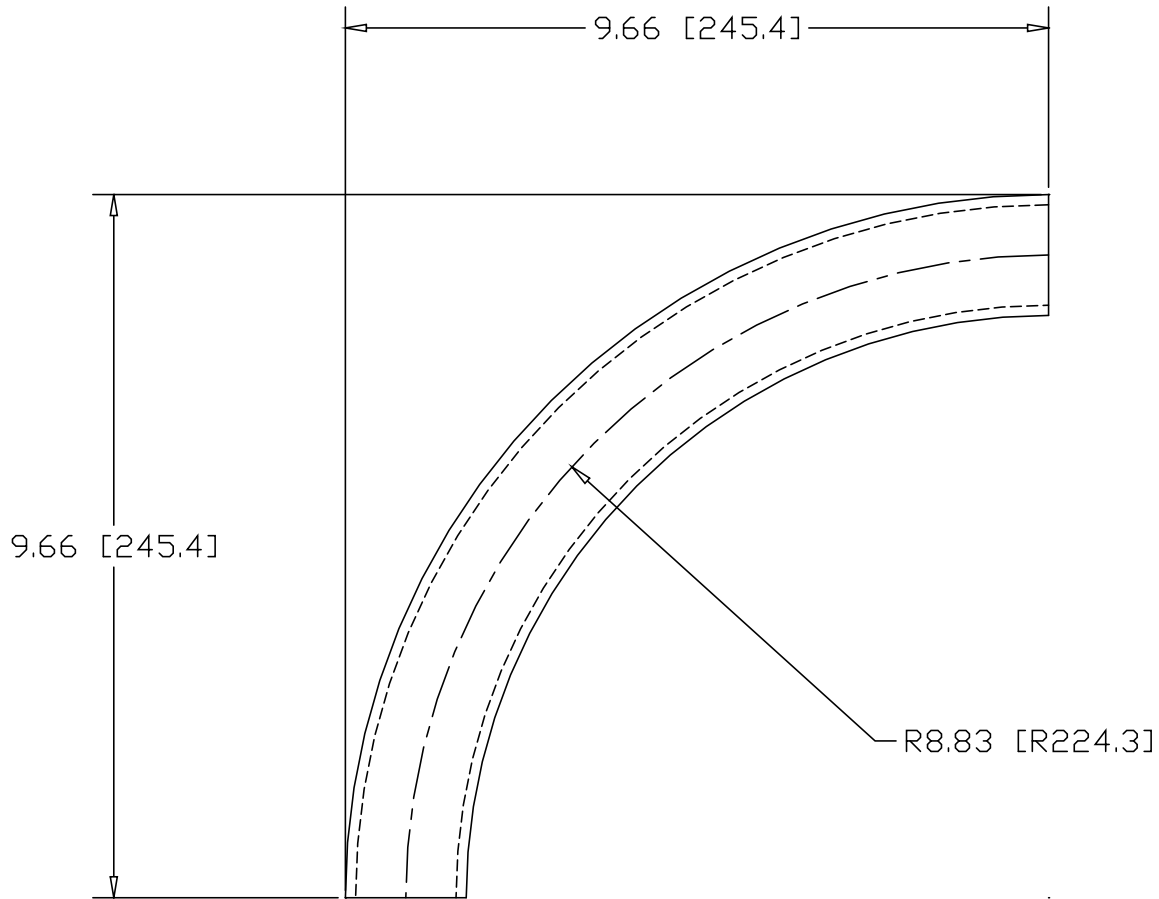



REV  
SH  
DWG NO 7706

REVISIONS			
REV	DESCRIPTION	DATE	APPROVED



INCHES [MILLIMETERS]

ALTERNATE MATERIAL	PART NUMBER
1-1/4" SCH 40 (6063) ALUMINUM PIPE	7720
1-1/4" SCH 40 (304) STAINLESS STEEL PIPE	7734

PART NAME		1-1/4" PIPE SIZE 90° ELL X 8" I.R.					
MATERIAL		1-1/4" SCH 40 A53 STEEL PIPE					
DATE	7/18/01	 <b>R &amp; B WAGNER, INC.</b>					
DRAWN BY	JAH						
FINISH	MILL						
SIZE	A	WEIGHT	2.62 LBS	PART NUMBER	7706	REV	