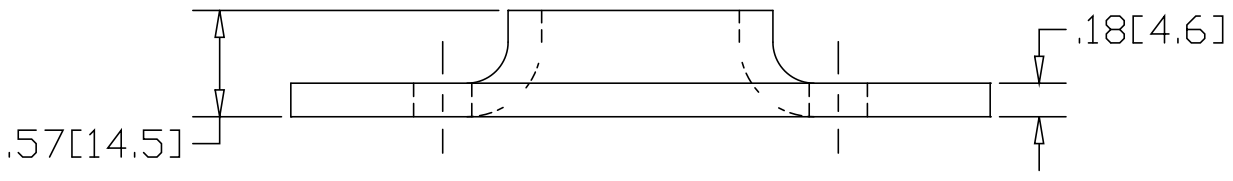
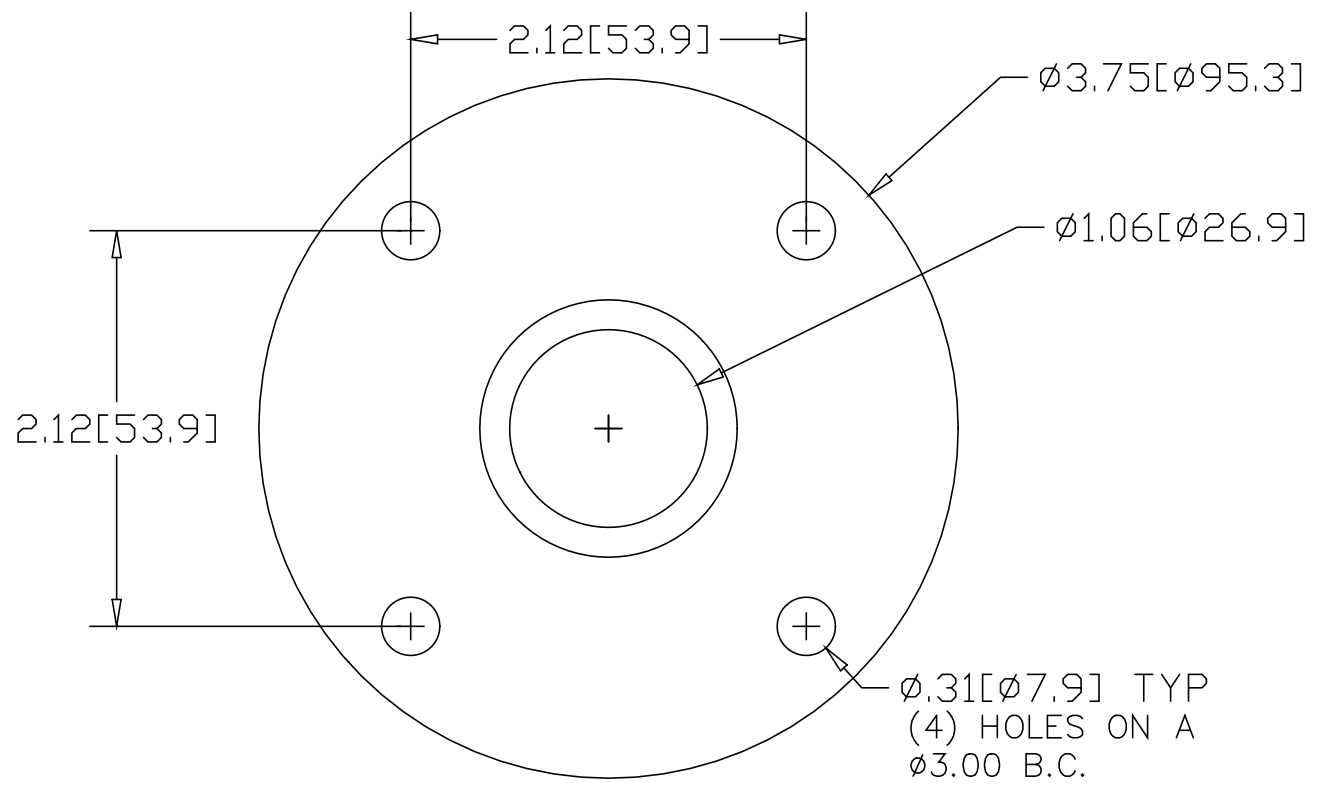


REV  
SH  
1600-4  
DWG NO

REVISIONS			
REV	DESCRIPTION	DATE	APPROVED



INCHES [MILLIMETERS]

\*USE WITH ANCHOR PLATE  
#B1616 IN STEEL  
#B1638 IN ALUMINUM

ALTERNATE MATERIAL	PART NUMBER
3/16" (3003) ALUMINUM ASTM B-209	1650-4

PART NAME 3/4" PIPE SIZE EXTRA HEAVY FLANGE WITH (4) HOLES			
MATERIAL 3/16" HRP&O STEEL ASTM A-569			
DATE 2/22/99			
DRAWN BY RJF			
FINISH MILL	SIZE A	WEIGHT .56 LBS	PART NUMBER 1600-4
			REV