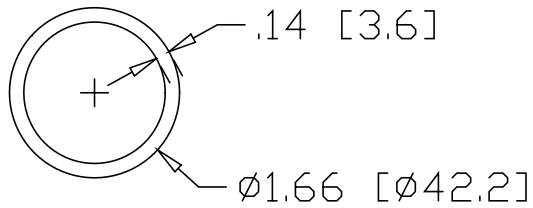
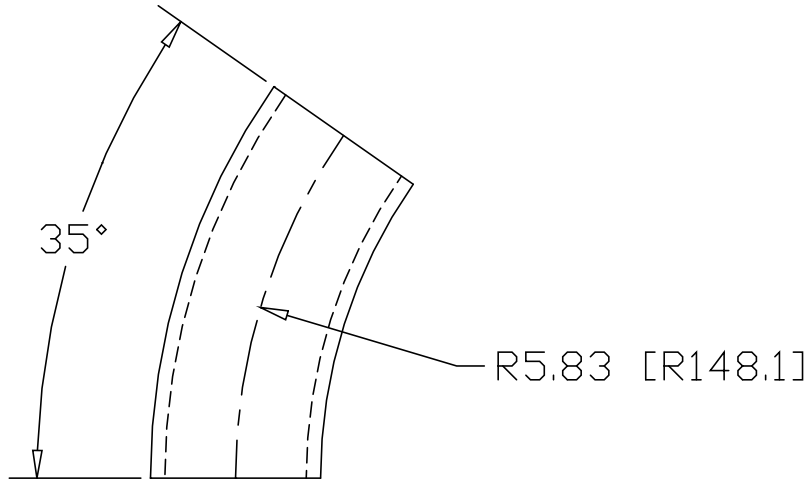



REV
SH
7061
DWG NO

| REVISIONS | | | |
|-----------|-------------|------|----------|
| REV | DESCRIPTION | DATE | APPROVED |



INCHES [MILLIMETERS]

| ALTERNATE MATERIAL | PART NUMBER |
|--|-------------|
| 1-1/4" SCH 40 (6063) ALUMINUM PIPE | 7081 |
| 1-1/4" SCH 40 (304) STAINLESS STEEL PIPE | 7101 |

| | | | | | |
|-----------|---------|---|---------|-------------|-----|
| PART NAME | | 1-1/4" PIPE SIZE 35° ELL X 5" I.R. | | | |
| MATERIAL | | 1-1/4" SCH 40 A53 STEEL PIPE | | | |
| DATE | 7/02/01 |  R & B WAGNER, INC. | | | |
| DRAWN BY | JAH | | | | |
| FINISH | MILL | SIZE | WEIGHT | PART NUMBER | REV |
| | | A | .68 LBS | 7061 | |