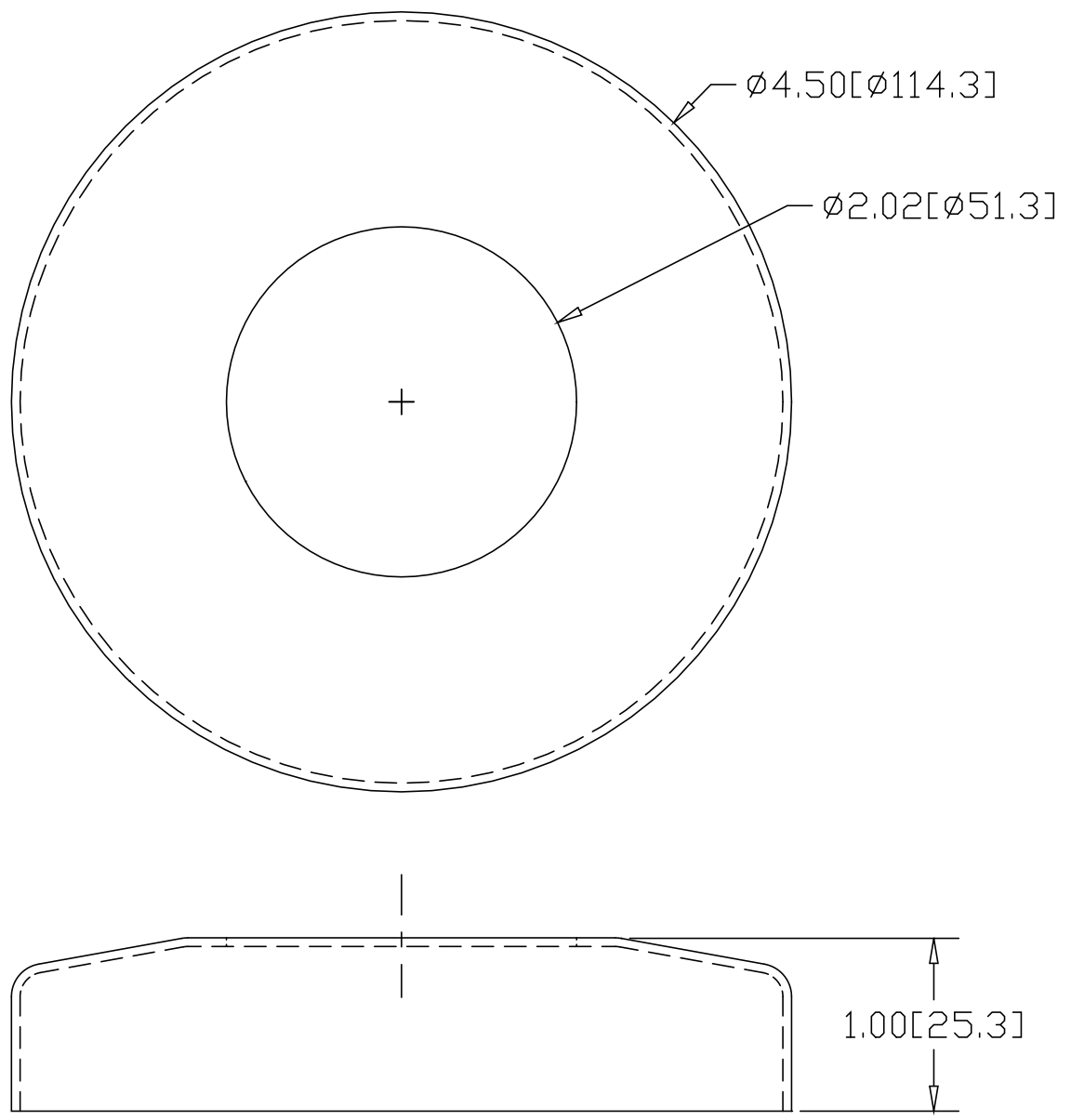


REV  
SH  
2081  
DWG NO


REVISIONS			
REV	DESCRIPTION	DATE	APPROVED



INCHES [MILLIMETERS]

\* USE WITH BASE  
 #2081B IN STEEL  
 #2082B IN ALUMINUM  
 #2083B IN STAINLESS  
 #2084B IN BRASS

ALTERNATE MATERIAL	PART NUMBER
.063 (3003) ALUMINUM ASTM B209	2082
18 GA. (304) STAINLESS STEEL A240	2083
16 GA. (260) BRASS B19,B36	2084

PART NAME				2.00" OD TUBE SNAP COVER			
MATERIAL				18 GA. CR STEEL ASTM A366			
DATE		4/3/97				R & B WAGNER, INC.	
DRAWN BY		RJF					
FINISH		MILL		SIZE	WEIGHT	PART NUMBER	REV
				A	.29 LBS	2081	