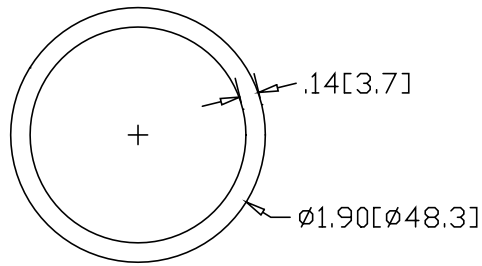
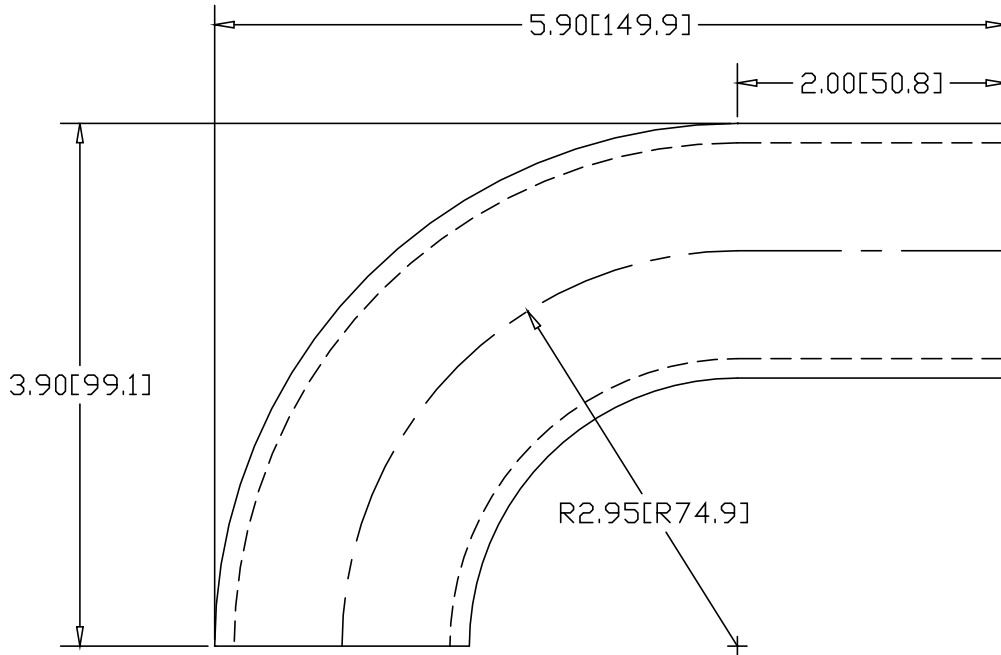



REV
SH
341-3
DWG NO

REVISIONS			
REV	DESCRIPTION	DATE	APPROVED



INCHES [MILLIMETERS]

ALTERNATE MATERIAL	PART NUMBER
1-1/2" SCH 40 (6063) ALUMINUM PIPE	365-3
1-1/2" SCH 40 (304) STAINLESS STEEL PIPE	389-1

PART NAME 1-1/2" PIPE SIZE 90° ELL X 2" I.R. W/(1) 2" TANGENT				
MATERIAL 1-1/2" SCH 40 STEEL PIPE A53				
DATE 8/24/95	 R & B WAGNER, INC.			
DRAWN BY RJF				
FINISH MILL	SIZE A	WEIGHT 1.4 LBS	PART NUMBER 341-3	REV