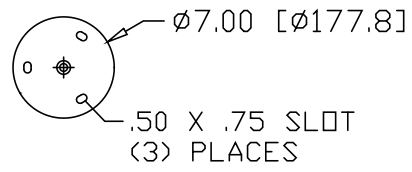
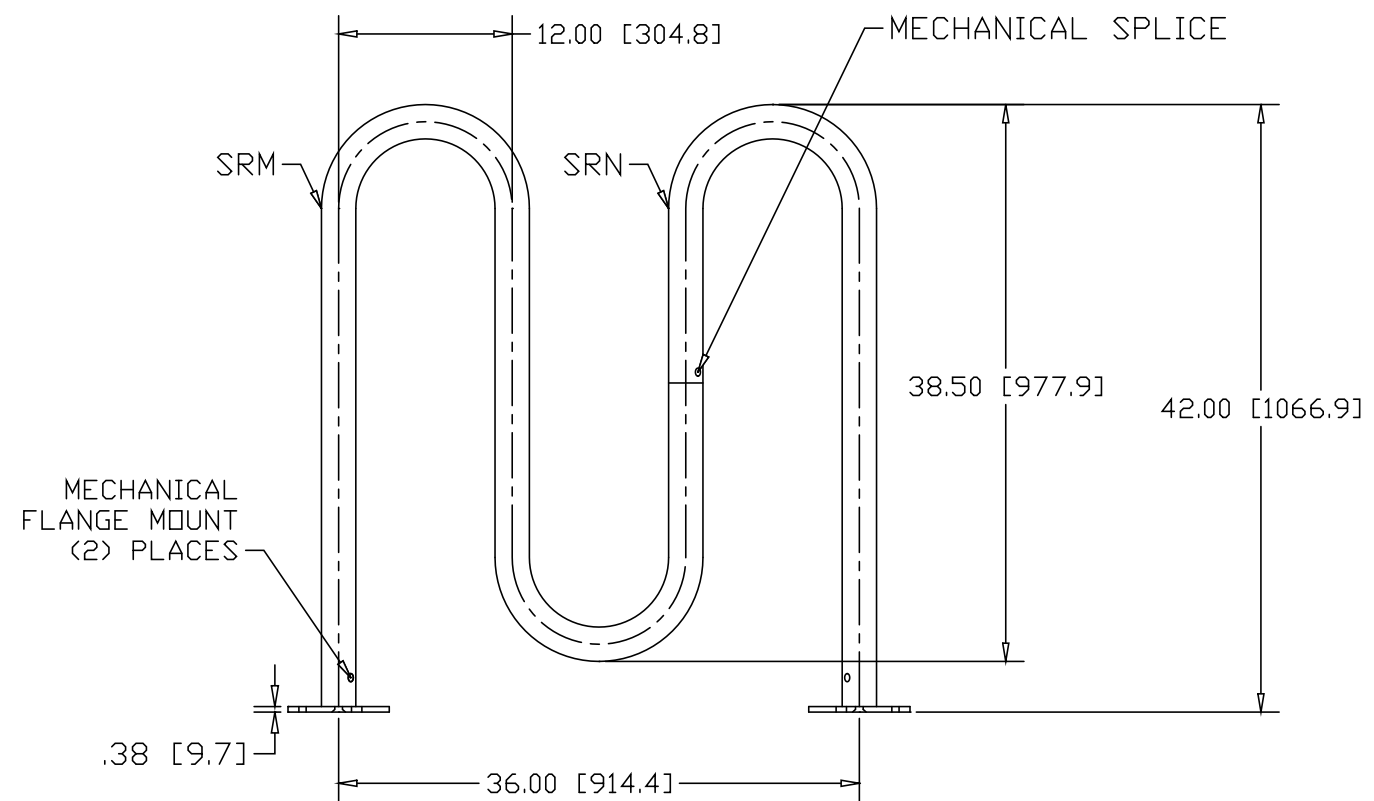


REVISIONS			
REV	DESCRIPTION	DATE	APPROVED



INCHES [MILLIMETERS]

PART NAME		PRE-GALVANIZED BIKE RACK KIT, (3) LOOP SURFACE MOUNT		
MATERIAL		2.375" OD X .120W GALVANIZED STEEL TUBE		
DATE	04/21/06		THE WAGNER COMPANIES R & B WAGNER, INC. AND J. G. BRAUN CO.	
DRAWN BY	RJF			
FINISH	GALVANIZED	SIZE	WEIGHT	PART NUMBER
		A	49.2 LBS	SR3LW-SM
				REV