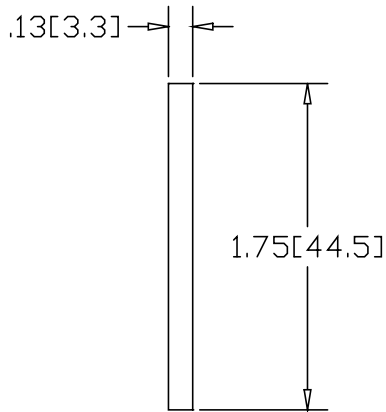
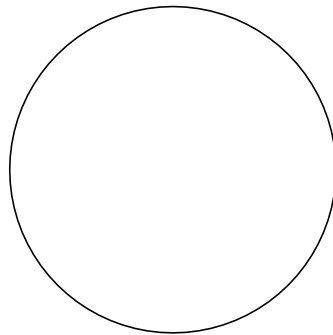
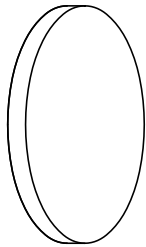



REV
SH
DWG NO D069-1

REVISIONS			
REV	DESCRIPTION	DATE	APPROVED



INCHES [MILLIMETERS]

ALTERNATE MATERIAL	PART NUMBER
.125 (3003) ALUMINUM ASTM B209	D069-2
10 GA. (304) STAINLESS STEEL ASTM A240	D069-3
.125 (260) BRASS ASTM B19,B36	D069-4

PART NAME 1.75" OD TUBE SIZE TYPE-D WELD-ON DISK				
MATERIAL 10 GA. HRP&D STEEL ASTM A569				
DATE 10/11/96		THE WAGNER COMPANIES R & B WAGNER, INC. AND J. G. BRAUN CO.		
DRAWN BY RJF				
FINISH MILL	SIZE A	WEIGHT .09 LBS	PART NUMBER D069-1	REV