

2



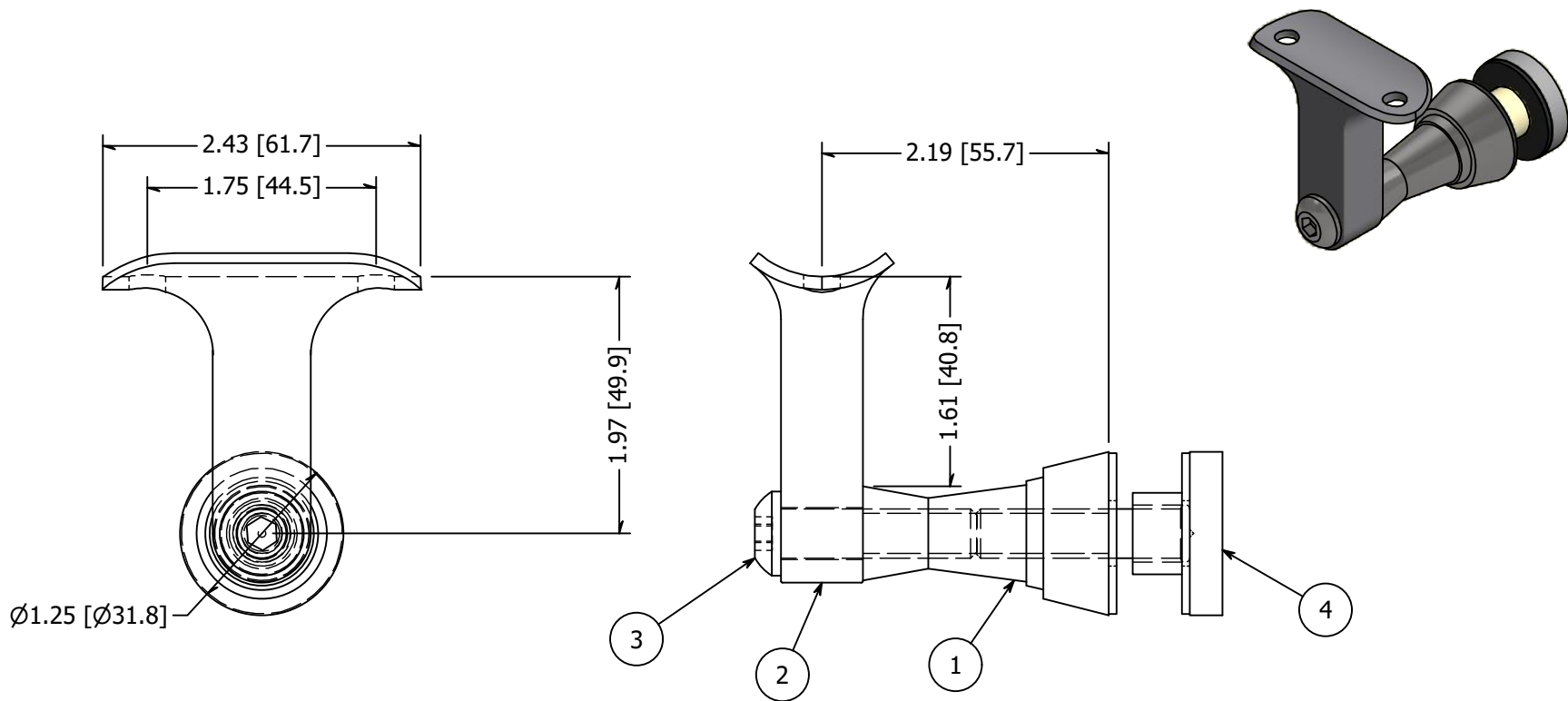
1

PARTS LIST

ITEM	QTY	PART NUMBER	DESCRIPTION
1	1	RS250	Handrail Bracket Arm, SS, 1-7/8 Inch Long, 3/8-16 Tapped Through, Type 304
2	1	S3502	Handrail Bracket Saddle And Vertical Arm, SS, Cast, #4 Finish, Type 316, Bolt Style
3	1	BAH3N3816-0150	SCREW, SS, 3/8-16 X 1.50 Inch, Button, Allen Head
4	1	GB3000K	GLASS ADAPTER KIT SS 1.25 #4 FOR 1/2 GLASS

B

B




A

A

REVISION HISTORY			
REV	DESCRIPTION		DATE
1	REMOVE SADDLE ASSEMBLY		1/22/2014

<b>TOLERANCE</b>  UNLESS OTHERWISE NOTED, TOLERANCES TO CONFORM TO ES.03.011	MATERIAL:	DESCRIPTION: Handrail Bracket, SS, Glass Mount, 1/2 Inch, 2-1/2 Inch From Glass To Center	
	304 Stainless	DATE:	2/11/2021
	FINISH:	#4	REV:
	2/11/2021	1	
	DRAWN BY:	K. Turdo	
WEIGHT:	N/A	ITEM NUMBER:	GB3253



10600 W Brown Deer Rd  
Milwaukee, WI 53224  
COLLABORATIVE METALWORKS <http://www.wagnercompanies.com/>

2



1