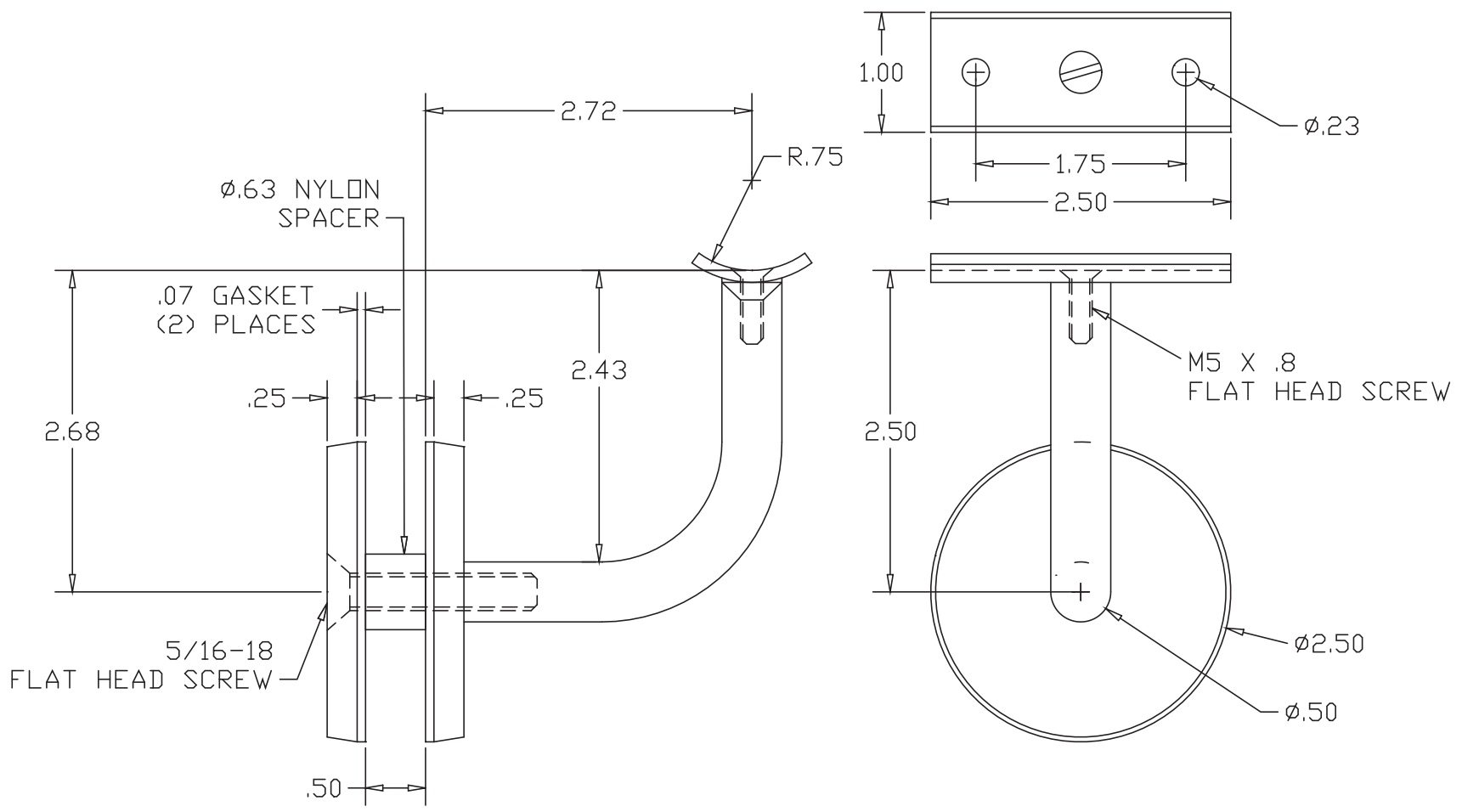


REVISIONS			
REV	DESCRIPTION	DATE	APPROVED
A	5/16-18 BOLT WAS M8 X 1.25	08/09/10	RJF



PART NAME		GLASS MOUNT HANDRAIL BRACKET FOR 1.50 OD		
MATERIAL		TYPE 304 STAINLESS STEEL		
DATE	9/20/02	WAGNER	THE WAGNER COMPANIES R & B WAGNER, INC. AND J. G. BRAUN CO.	
DRAWN BY	RJF			
FINISH	#8 MIRROR	SIZE A	WEIGHT 1.03 LBS	PART NUMBER 993
				REV A

