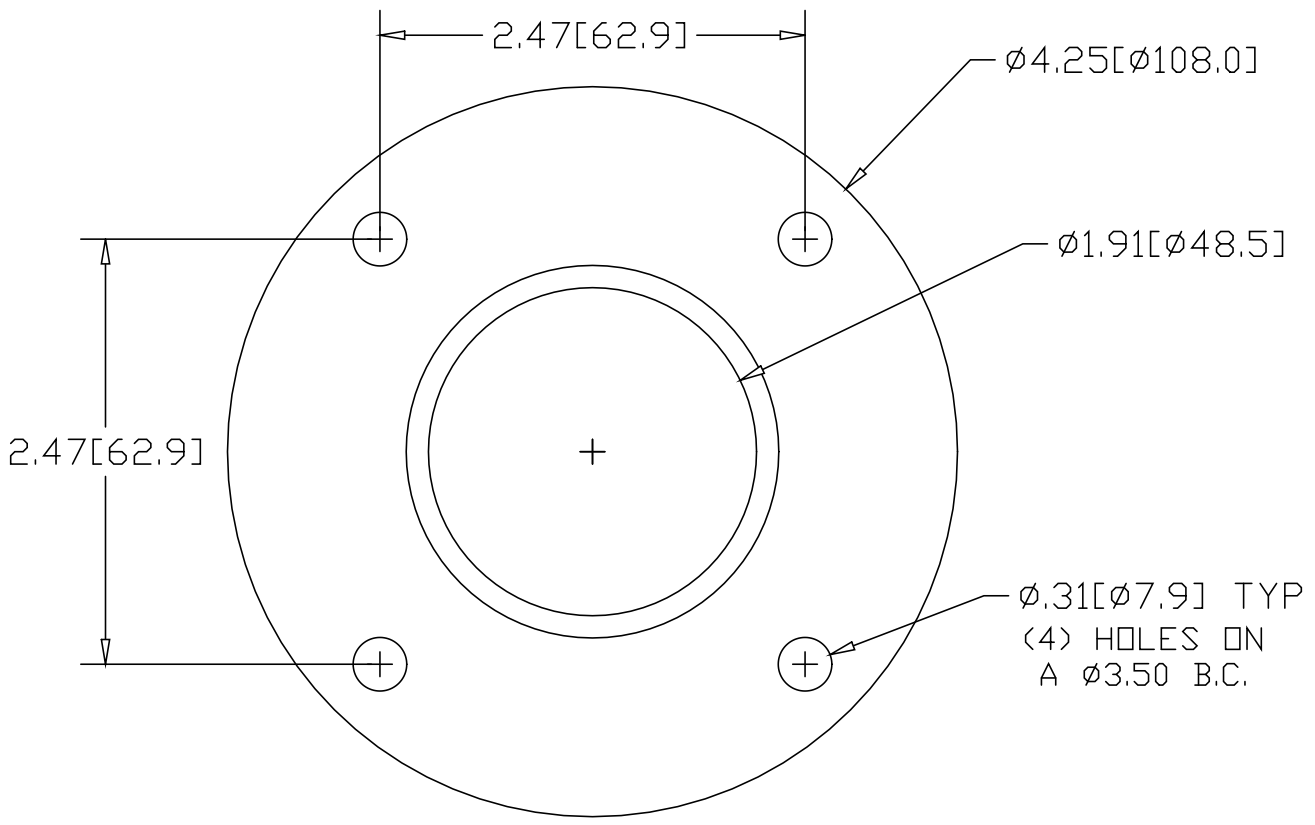
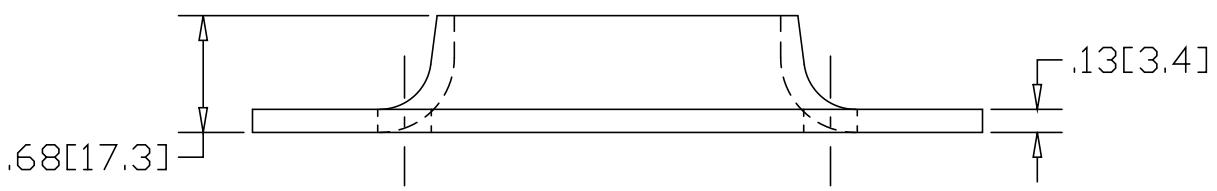


REV
SH
636
DWG NO

REVISIONS			
REV	DESCRIPTION	DATE	APPROVED




Ø4.25[Ø108.0]
Ø1.91[Ø48.5]
Ø.31[Ø7.9] TYP
(4) HOLES ON
A Ø3.50 B.C.



INCHES [MILLIMETERS]

ALTERNATE MATERIAL	PART NUMBER
.125 (3003) ALUMINUM ASTM B209	676
10 GA. (304) STAINLESS STEEL ASTM A240	716

PART NAME				1-1/2" FLAT BASE PIPE FLANGE W/(4) HOLES	
MATERIAL				10 GA. HRP&D STEEL ASTM A-569	
DATE	1/7/99			R & B WAGNER, INC.	
DRAWN BY	RJF				
FINISH	MILL	SIZE	A	WEIGHT	.54 lbs
			PART NUMBER	636	REV